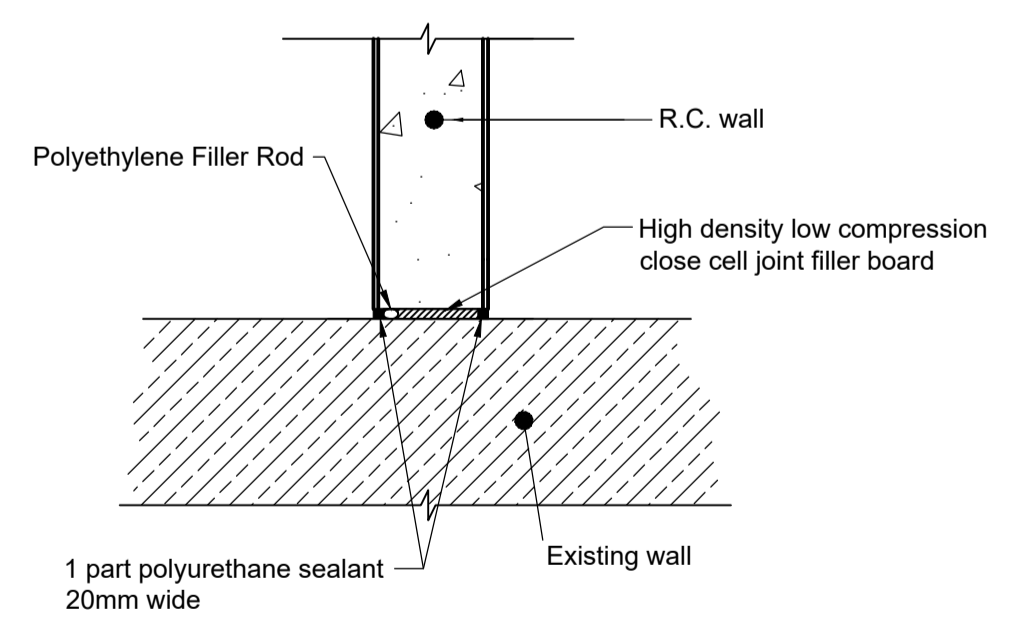
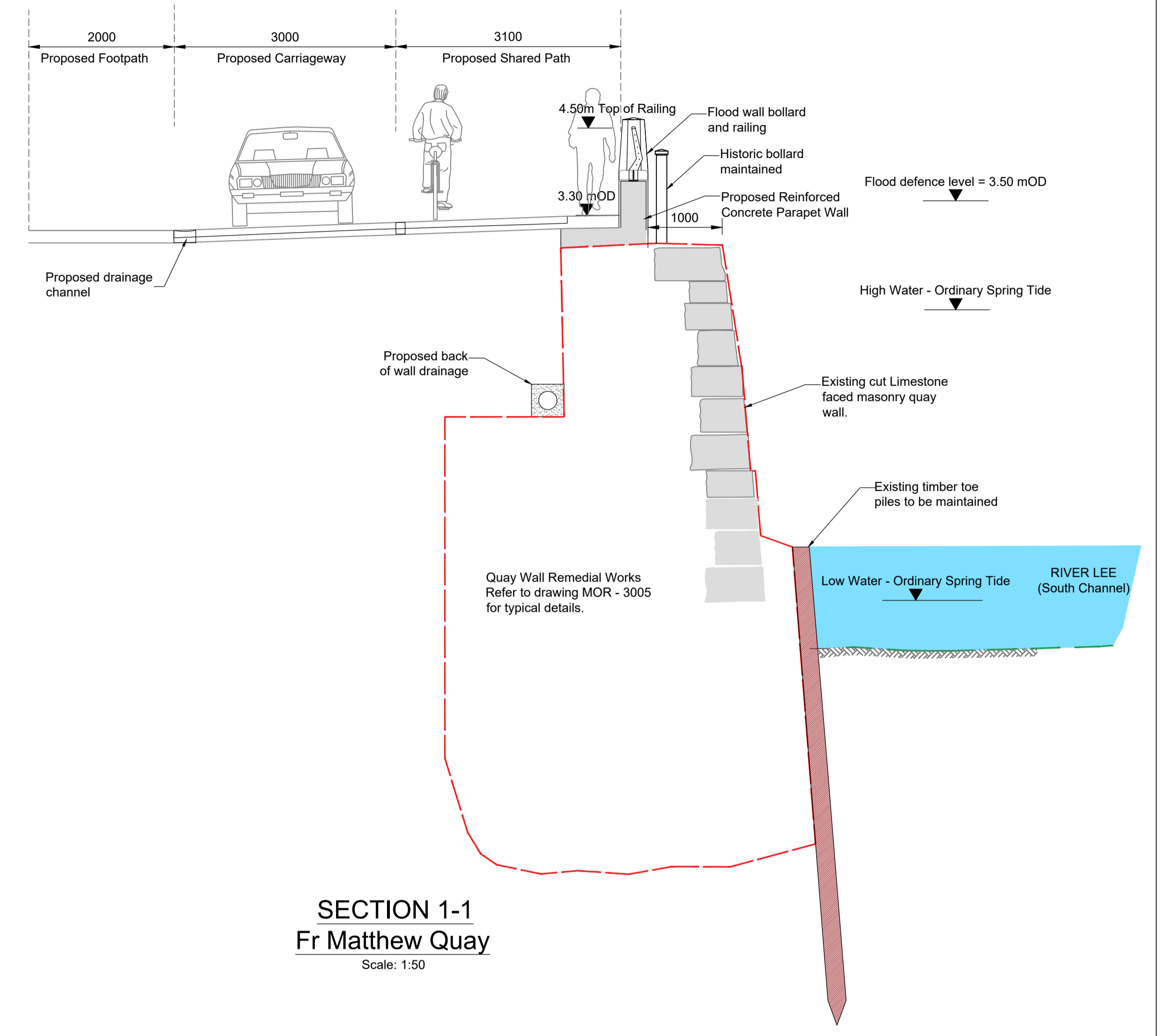


FATHER MATHEW QUAY :
Part elevation adjacent to Parliament Bridge
SCALE 1:50



ISOLATION JOINT
(JOINT DETAIL FOR NEW RC WALL TO EXISTING WALL)
Scale 1:25



SECTION 1-1
Fr Matthew Quay
Scale: 1:50

- Notes:**
- All levels shown in metres above Ordnance Datum Malin.
 - Refer to drawing series 1000 for details of proposed surface finishes.
 - Refer to drawing series 5000 for details of proposed railings.
 - Proposed layout subject to detailed design.
 - All outfalls to be fitted with flap valves
 - Existing Quay Wall fenders omitted for clarity

P01	11/07/19	SOF	AL	KL
Planning Issue				
Rev	Date	By	Chkd	Appd

ARUP
One Albert Quay
Cork, Ireland
Tel: +353 (0)21 427 7670 Fax: +353 (0)21 427 2345
www.arup.com
the paulhogarth company

Client
Cork City Council
City Hall, Anglesea Street,
Cork.

Project Title
**Morrison's Island Public Realm
and Flood Defence Project**

Drawing Title
**Parliament Bridge Interface
Proposed Details**

Scale at A1 1:50	
Role Civil Infrastructure	
Suitability Planning	
Anup Job No 230436-00	Rev P01
Name MOR-3007	