



Comhairle Cathrach Chorcaí Cork City Council

Halla na Cathrach, Corcaigh - City Hall, Cork - T12 T997

Catriona O'Mahony,
Cork ARC Cancer Support House,
Sarsfield House,
Sarsfield Road,
Wilton,
Cork T12 EW9A.

31/03/2023

RE: Section 5 Declaration R770/23, Cork ARC Cancer Support House, Sarsfield House, Sarsfield Road, Wilton, Cork.

A Chara,

With reference to your request for a Section 5 Declaration at the above-named property, received on 11th April 2023, I wish to advise as follows:

The Planning Authority, having regard to:

- Sections 2, 3 and 4 of the Planning and Development Act 2000 (as amended),
- Article 6 of the Planning and Development Regulations 2001 – 2022, and
- Class 33 of Part 1 of Schedule 2 of the Planning and Development Regulations 2001 – 2022;

It is considered that the proposed works at Cork ARC Cancer Support House, Sarsfield House, Sarsfield Road, Wilton, Cork **IS DEVELOPMENT** and elements 4-7 are **NOT EXEMPTED DEVELOPMENT** as these would not be in compliance with Class 33 of Part 1 of Schedule 2 of the Planning and Development Regulations 2001 – 2022.

A planning application would be required to regularise the proposed development elements 4-7 associated with the ornamental gardens and associated structures.


Please note that it is unclear from the information provided the planning status of the Cancer Support House given the planning history of 3 refusals on site and former use of offices. This matter should be addressed as part of any future planning application.

Under Section 5(3)(a) of the Planning and Development Act, 2000, you may, on payment of the appropriate fee, refer this declaration for review by An Bord Pleanála within 4 weeks of the date it is issued, 31st March 2023.



We are Cork.

Is mise le meas,



Kate Magner
Development Management Section
Community, Culture and Placemaking Directorate
Cork City Council

Planner's Report Ref. R770/23	Cork City Council, Culture, Community and Placemaking
Application type	Section 5 Declaration
Description	Do the following items comprise of exempted development? 1. The laying out of the outdoor space associated with Sarsfield House as an amenity garden / open space area, with pathways, hard paved seating area, grassed areas, water feature, seating, raised planter and growing areas, planting and landscaping. 2. Outdoor tables and seating 3. 1 No. green house 4. 2 No. open gazebos 5. 1 No. clear roof gazebo 6. 2 No. 'Beehive Pods' 7. An indoor 'Mancave' structure
Location	Cork ARC Cancer Support House, Sarsfield House, Sarsfield Road, Wilton
Applicant	Catriona O'Mahony
Date received	15 March 2023
Recommendation	Is Development and Is Not Exempted Development

In this report 'the Act' means the Planning and Development Act 2000 (as amended) and 'the Regulations' means the Planning and Development Regulations 2001 (as amended), unless otherwise indicated.

1. Requirements for a Section 5 Declaration

Section 5(1) of the Planning and Development Act 2000 as amended states;
'If any question arises as to what, in any particular case, is or is not development or is or is not exempted development within the meaning of this Act, any person may, on payment of the prescribed fee, request in writing from the relevant planning authority a declaration on that question, and that person shall provide to the planning authority any information necessary to enable the authority to make its decision on the matter.'

The requirements for making a section 5 declaration are set out in the Act.

2. The question before the Planning Authority

In framing the question to the planning authority, the applicant states in Q4 of the application form:

- "Do the following items comprise of exempted development?"
- 1.** The laying out of the outdoor space associated with Sarsfield House as an amenity garden / open space area, with pathways, hard paved seating area, grassed areas, water feature, seating, raised planter and growing areas, planting and landscaping.
 - 2.** Outdoor tables and seating
 - 3.** 1 No. green house
 - 4.** 2 No. open gazebos

5. 1 No. clear roof gazebo
6. 2 No. 'Beehive Pods'
7. An indoor 'Mancave' structure"

Additional details regarding question/ works / development

Letters, drawings and information was appended with the application form which outlines in detail the background and need for the project, the nature of the proposed works and consideration of potential exempted development status for the proposed development. The information included:

- Cover letters,
- location map,
- location plan,
- site plan,
- proposed western path 3 no. plans including cross section and 3D views, drawings, supplier drawings and details for gazebo, shed (mancave) 2 no. drawings, Beehive pod 5 no. drawings, and
- site photos

3. Site Description

The subject site is located on Cork ARC Cancer Support House, Sarsfield House, Sarsfield Road, Wilton. The site is located between residential estates of White Oaks (due south) and Harley Court (due north). Sarsfield Road is due east, Doughcloyne Industrial Estate (due west and further south) and N40 South Ring Road due north. The Glasheen River is on the north side of the N40 South Ring Road. The site comprises of two-storey pitched and slated roof, currently used as a cancer support house (former office building). There are hedge and trees within site and along site boundary. The site slopes northwards. Site is zoned as ZO1 Sustainable Residential Neighbourhoods and falls within Cork Airport Safety Zones and Noise Contour Map.

For the purposes of this Section 5 Planner's Report the elements of proposed development shall be laid out as within the cover letter submitted as part of the application form:

1. The laying out of the outdoor space associated with Sarsfield House as an amenity garden / open space area, with pathways, hard paved seating areas, grassed areas, water feature (details TBC), seating, raised planter and growing areas, planting and landscaping. (Details of surface water treatment / SuDS for hard standing areas and structures TBC)
2. Outdoor tables and seating,
3. 1 no. green house (no details),
4. 2 no. open gazebos (6.4m x 6.4m x 3.243m and 4.1m x 3m x 2.5m),
5. 1 no. clear roof gazebo (4.1m x 3m x 2.5m)
6. 2 no. 'Beehive pods' (4m x 3.5m x 2.5m),
7. An indoor 'mancave' structure (8.4m x 3.4m x 2.7m with new connection to public sewer)

Sloping site to roadside has been cleared with metal mesh fencing boundary. A boundary hedge is proposed inside of the metal fence. Site has been cleared.

4. Planning History

Subject Site:

07/13342 Permission for construction of two storey extension to office building comprising of 3 no. ground floor apartments and 2 no. first floor office units at Sarsfield House, Sarsfield Road, Wilton. **Refused**

06/6775 Permission for construction of two storey extension to office building for use as 3 no. ground floor apartments and 2 no. first floor office units at Sarsfield House, Sarsfield Road, Wilton. **Refused**

05/1952 Construction of 4 no. office units and 6 no. apartments in 2 no. three storey blocks at Sarsfield House, Sarsfield Road, Wilton. **Refused**

Recent applications in the vicinity:

12/5322 Retention permission for 2 no. new doors to south elevation of existing industrial building at Doughcloyne Industrial Estate, Doughcloyne, Sarsfield Road, Cork. **Grant**

05/337 – Permission for extension to dwellinghouse for use as a separate dwelling unit at 11 White Oaks, Sarsfield Road, Wilton. **Refused**

5. Legislative Provisions

5.1 The Act

Section 2(1)

“works” includes any act or operation of construction, excavation, demolition, extension, alteration, repair or renewal and, in relation to a protected structure or proposed protected structure, includes any act or operation involving the application or removal of plaster, paint, wallpaper, tiles or other material to or from the surfaces of the interior or exterior of a structure.

“house” means a building or part of a building which is being or has been occupied as a dwelling or was provided for use as a dwelling but has not been occupied, and where appropriate, includes a building which was designed for use as 2 or more dwellings or a flat, an apartment or other dwelling within such a building;

“habitable house” means a house which—

- (a) is used as a dwelling,
- (b) is not in use but when last used was used, disregarding any unauthorised use, as a dwelling and is not derelict, or
- (c) was provided for use as a dwelling but has not been occupied;

Section 3(1)

In this Act, except where the context otherwise requires, “development” means —

- (a) the carrying out of any works in, on, over or under land, or the making of any material change in the use of any land or structures situated on land, or

(b) development within the meaning of Part XXI (inserted by section 171 of the Maritime Area Planning Act 2021)

Section 4(2)

Section 4(2) provides that the Minister may, by regulations, provide for any class of development to be exempted development. The principal regulations made under this provision are the Planning and Development Regulations 2001-2013.

Section 5(1)

(See Section 1 above)

Section 177U (9) (screening for appropriate assessment)

In deciding upon a declaration or a referral under section 5 of this Act a planning authority or the Board, as the case may be, shall where appropriate, conduct a screening for appropriate assessment in accordance with the provisions of this section.

5.2 The Regulations

Article 6 Exempted Development

(1) Subject to article 9, development of a class specified in Column 1 of Part 1 of Schedule 2 shall be exempted development for the purposes of the Act, provided that such development complies with the conditions and limitations specified in Column 2 of the said Part 1 opposite the mention of that class in the said Column 1.

Class 33 ‘Development for amenity or recreational purposes
Development consisting of the laying out and use of land —

- (a) as a park, private open space or ornamental garden,
- (b) as a roadside shrine, or
- (c) for athletics or sports (other than golf or pitch and putt or sports involving the use of motor vehicles, aircraft or firearms), where no charge is made for admission of the public to the land.’

6. Assessment

The purpose of this report is to assess whether or not the matter in question constitutes development and whether it falls within the scope of exempted development.

Matters pertaining to the acceptability of the proposal in respect of the proper planning and sustainable development of the area is not a consideration under Section 5.

6.1 Development

The first issue for consideration is whether or not the matter at hand is ‘development’?

‘Development’ as defined in the Act (3)(1) comprises two possible chief components: ‘the carrying out of any works on, in, over or under land’, or ‘the making of any material

change in the use of any structures or other land’. In order to ascertain whether or not the subject use is considered to be development as so defined, consideration must first be given to whether any works on, in, over or under land have or will be carried out, and secondly to whether any material change in the use of any structures or other land have or will take place.

‘Works’ is defined in section 2(1) of the Act as ‘the carrying out of any works on, in, over, or under land’ including ‘any act or operation of construction, excavation, demolition, extension, alteration, repair or renewal, and in relation to a protected structure or proposed protected structure, includes any act or operation involving the application or removal of plaster, paint wallpaper, tiles or other material to or from the surfaces of the interior or exterior of a structure.’

The proposed works above fall within the definition of ‘works’. Therefore, the proposal constitutes development within the meaning of the Act.

Conclusion: The proposed works are considered development.

6.2 Exempted Development

The next issue for consideration is whether or not the matter at hand is Exempted Development?

Section 2(1) of the Act defines ‘exempted development’ as having ‘the meaning specified in Section 4’ of the Act (which relates to exempted development).

Section 4(3) of the Act states that exempted development either means development specified in Section 4(1) or development which is exempted development having regard to any regulations under section 4(2).

I consider that the proposed development does not fall under any Section of the Planning and Development Act. I do consider that elements of proposed development fall within Class 33 of Part 1 of Schedule 2 of the Planning and Development Regulations.

Section 4(2)

It is therefore necessary to consider whether the proposed works comes under the scope of Class 33 of Part 1 of Schedule 2, Planning and Development Regulations 2001-2022.

Article 6 Exempted Development allows for development under Part 1 Schedule 2, subject to Article 9 ‘Restrictions on exemption’.

There is no legal definition for private open space or ornamental garden. It is considered that proposed development items 1, 2 and 3 could reasonably be considered as typical private open space or ornamental gardens.

Conclusion: Items 1-3 are considered works which are exempted development. Items 4-7 are considered works which are **not** exempted development. Overall, these latter elements require benefit of planning permission.

7. Environmental Assessment

7.1 Screening for Environmental Impact Assessment

Having regard to the contents of Article 103 (as amended by Article 14 of the Planning and Development (Amendment) (No 3) Regulations 2011) and Schedule 7 of the Planning and Development Regulations 2001 (as amended) it is considered that the proposed development by reason of its nature, scale and location would not be likely to have significant effects on the environment. Accordingly, it is considered that an environmental impact statement is not required to be submitted.

7.2 Screening for Appropriate Assessment

Section 177U (9) of the Act requires planning authorities to screen applications for a section 5 declaration for appropriate assessment. The provisions of the Habitats Directive, the Appropriate Assessment Guidelines for Planning Authorities 2009 (revised 2010) and the Act are noted. The relevant European sites are the Cork Harbour SPA (site code 004030) and the Great Island Channel cSAC (site code 001058). Having regard to the location of the proposed development site relative to these European sites and related watercourses and to the nature and scale of the proposed development it is considered that the proposed development would not affect the integrity of the European sites referred to above. Accordingly, it is considered that appropriate assessment is not required.

8. Recommendation

In view of the above and having regard to –

- Section 2, 3 and 4 of the Planning and Development Act 2000 as amended,
- Articles 6 of the Planning and Development Regulations 2001 to 2022, and
- Class 33 of Part 1 of Schedule 2 of the Planning and Development Regulations 2001-2022;

the Planning Authority considers that the proposed works at Cork ARC Cancer Support House, Sarsfield House, Sarsfield Road, Wilton, Cork is **Development** and elements 4-7 are **not Exempted Development** as would not be in compliance with Class 33 of Part 1 of Schedule 2. A planning application would be required to regularise the proposed development elements 4-7 associated with the ornamental gardens and associated structures.

Please note it is unclear from the information provided the planning status of the Cancer Support House given the planning history of 3 refusals on site and former use of offices. This matter should be addressed as part of any future planning application.

Hugh Killen
Planner
31 March 2023

COMHAIRLE CATHRACH CHORCAÍ CORK CITY COUNCIL

Community, Culture & Placemaking Directorate,
Cork City Council, City Hall, Anglesea Street, Cork.

R-Phost/E-Mail planning@corkcity.ie

Fón/Tel: 021-4924709

Líonra/Web: www.corkcity.ie

SECTION 5 DECLARATION APPLICATION FORM under Section 5 of the Planning & Development Acts 2000 (as amended)

1. NAME OF PERSON MAKING THE REQUEST

Catriona O'Mahony

2. POSTAL ADDRESS OF LAND OR STRUCTURE FOR WHICH DECLARATION IS SOUGHT

Cork ARC Cancer Support House, Sarsfield House, Sarsfield Road, Wilton, Cork T12 EW9A

4. QUESTION/ DECLARATION DETAILS

PLEASE STATE THE SPECIFIC QUESTION FOR WHICH A DECLARATION IS SOUGHT:

Sample Question: *Is the construction of a shed at No 1 Wall St, Cork development and if so, is it exempted development?*

Do the following items comprise of exempted development?

1. The laying out of the outdoor space associated with Sarsfield House as an amenity garden / open space area, with pathways, hard paved seating area, grassed areas, water feature, seating, raised planter and growing areas, planting and landscaping.
2. Outdoor tables and seating
3. 1 No. green house
4. 2 No. open gazebos
5. 1 No. clear roof gazebo
6. 2 No. 'Beehive Pods'
7. An indoor 'Mancave' structure

**DEVELOPMENT MANAGEMENT
CCP**

15 MAR 2023

CORK CITY COUNCIL

ADDITIONAL DETAILS REGARDING QUESTION/ WORKS/ DEVELOPMENT:

(Use additional sheets if required).

Please refer also to the letters, drawings and information appended with this application form which outline in detail the background and need for the project, the nature of the proposed works and consideration of potential exempted development status for the proposed development.



5. Are you aware of any enforcement proceedings connected to this site?

If so please supply details: N/A

6. Is this a Protected Structure or within the curtilage of a Protected Structure?

If yes, has a Declaration under Section 57 of the Planning & Development Act 2000 been requested or issued for the property by the Planning Authority?

7. Was there previous relevant planning application/s on this site?

If so please supply details:

Planning Application reference 0713342 (2008)

Planning Application reference 066775 (2006)

Planning Application reference 066046 (2006)

8. APPLICATION DETAILS

Answer the following if applicable. Note: Floor areas are measured from the inside of the external walls and should be indicated in square meters (sq. M)

(a) Floor area of existing/proposed structure/s	There are 3 No. enclosed structures proposed (2 No. beehive pods and 1 No. 'Mancave' structure). The total combined floor area of these structures is 53.2m ²
(b) If a domestic extension, have any previous extensions/structures been erected at this location after 1 st October, 1964, (including those for which planning permission has been obtained)?	Yes <input type="checkbox"/> No <input type="checkbox"/> If yes, please provide floor areas. (sq m)
(c) If concerning a change of use of land and / or building(s), please state the following: N/A	
Existing/ previous use (please circle)	Proposed/existing use (please circle)

7. LEGAL INTEREST

Please tick appropriate box to show applicant's legal interest in the land or structure	A. Owner <input checked="" type="checkbox"/>	B. Other <input type="checkbox"/>
Where legal interest is 'Other', please state your interest in the land/structure in question		
If you are not the legal owner, please state the name of the owner if available		

8. I / We confirm that the information contained in the application is true and accurate:

Signature: Catrina O'Mahony

Date: 15/03/2023

Kate Magner

From: Michael Minehane <[REDACTED]>
Sent: Wednesday 15 March 2023 12:40
To: Kate Magner
Cc: John Gamble; Catriona O'Mahony; Adrian Farry
Subject: RE: Section 5 application for garden works: Cork ARC Cancer Support House
Attachments: Cork ARC Therapeutic Garden Project_ Section-5-declaration-application A01.pdf

You don't often get email from [REDACTED]. [Learn why this is important](#)

[EXTERNAL EMAIL] This email originated from outside Cork City Council. Do not follow guidance, click links or attachments unless you recognise the sender and know the content is safe.

Hi Kate,

Hope all is well with you.

Further to your below correspondence and phonecall with my colleague John, we now attach a Section 5 declaration application and accompanying information package for the **Cork ARC Cancer Support House: Therapeutic Garden Project**. The appended information package contains covering letters, drawings and photos detailing the background and need for the project, the nature of the proposed works and consideration of potential exempted development status.

We would appreciate your review and issuing of a declaration in relation to the exempted development status of the various development elements of the project as detailed in the application.

We are available for a call or meeting on any aspect of the submission should you require it.

From what we understand, the €80 application fee can be waived for registered charities. Cork ARC's charity registration number is **20049881**.

If you could confirm receipt by return email it would be appreciated. We look forward to hearing from you at your earliest convenience.

Many thanks,
Michael

Michael Minehane
Associate
RPS | Consulting UK & Ireland
T +353 21 466 5900
E [REDACTED]

From: John Gamble <[REDACTED]>
Sent: 03 February 2023 11:21
To: Michael Minehane <[REDACTED]>
Subject: FW: Section 5 application for garden works

FYI

John Gamble
Senior Project Engineer
RPS | Consulting UK & Ireland
T +353 21 466 5900
E [REDACTED]

COVER LETTERS

Our ref: MCTZ9988T69LT001

Innishmore, Ballincollig
Co. Cork P31 KR68
T +353 21 466 5900

Date: 21 February 2023

The Development Management Section,
Strategic Planning & Economic Development Directorate,
Cork City Council,
City Hall,
Anglesea Street,
Cork.

RE: Request for a Section 5 Declaration in respect of proposed works at Cork ARC Cancer Support House, Sarsfield House, Sarsfield Road, Wilton, Cork T12 EW9A

Dear Sir / Madam,

RPS is instructed by Cork ARC Cancer Support House (Cork Arc) to lodge this request for a declaration of exemption from Cork City Council under section 5 of the Planning and Development Act, 2000 as amended.

1 Basis of Request

This request relates to a Therapeutic Garden Project proposed by Cork ARC at its support centre at Sarsfield House, Sarsfield Road. The site is identified on the accompanying Site Location Map (*Drwg No. ArcLoc-01 Rev P01*). The works proposed are illustrated on the accompanying drawings (*Drwg No. ArcLoc-02-05 Rec P01*). The enclosed letter by Cork ARC describes the services of Cork ARC Cancer Support House in general and also describes the purpose of the proposed Therapeutic Garden Project.

The specific development elements of the project comprise of:

1. The laying out of the outdoor space associated with Sarsfield House as an amenity garden / open space area, with pathways, hard paved seating area, grassed areas, water feature, seating, raised planter and growing areas, planting and landscaping.
2. Outdoor tables and seating
3. 1 No. green house
4. 2 No. open gazebos
5. 1 No. clear roof gazebo
6. 2 No. 'Beehive Pods'
7. An indoor 'Mancave' structure

2 Relevant Legislation

2.1 General Obligation to Obtain Permission

Section 32 of Planning and Development Act 2000 – 2021 (hereafter referred to as the Planning and Development Act or the Act) sets out a general obligation to obtain planning permission for development unless it is exempted development

*“32.—(1) Subject to the other provisions of this Act, permission shall be required under this Part—
(a) in respect of any development of land, not being exempted development, and
(b) in the case of development which is unauthorised, for the retention of that unauthorised development.*

(2) A person shall not carry out any development in respect of which permission is required by subsection (1), except under and in accordance with a permission granted under this Part.”

2.2 Exempted Development Provisions

Section 4 of the Planning and Development Act sets out certain classes of development that shall be exempted development (which will not be subject to the general requirement to obtain planning permission). It also makes provision for the making of Regulations specifying further classes of development to be exempted development. None of the classes of development specified in section 4 are considered to apply to the proposed development by Cork ARC. As provided for in section 4, regulations specifying further classes of development to be exempted development are set out in the Planning and Development Regulations 2001 – 2022 (hereafter referred to as the Planning and Development Regulations or the Regulations). Article 6 of the Regulations sets out various classes of exempted development in Schedule 2. Class 33 of Part 1 of Schedule 2 relates to:

“Development consisting of the laying out and use of land—

(a) as a park, private open space or ornamental garden,

(b) as a roadside shrine, or

(c) for athletics or sports (other than golf or pitch and putt or sports involving the use of motor vehicles, aircraft or firearms), where no charge is made for admission of the public to the land.”

Notwithstanding the provisions of Article 6 and Schedule 2, Article 9 of the regulations sets out a number of restrictions on exemption.

3 Consideration of Potential Exempted Development Status of Proposed Development

It is submitted that the majority of the proposed development elements listed in section 1 above and shown on the accompanying layout plan drawing comprise of the *“layout out and use of the land as a private open space or ornamental garden”*. The elements listed as Items 1 – 5 all comprise of typical landscaping and outdoor furniture for the provision and use of areas as a private open space or gardens.

Items 6 and 7 will provide indoor space for meetings, workshops and support and counselling services. While these elements will form an integral and essential part of the overall Therapeutic Garden Project it is acknowledged that such elements might not be considered to comprise typical components ancillary to the laying out and use of the land as private open space, and accordingly may not readily fall within the provisions of Class 33.

We have reviewed the restrictions on exemption under Article 9 and do not consider any to apply in this instance.

Our ref: MCTZ9988T69LT001

4 Conclusion on Exempted Development Status of Proposed Development

Having regard to the foregoing it is considered that Items 1 – 5 of the proposed development as listed in section 1 can reasonably be considered to comprise development that is exempted development under Class 33 of Part 1 of Schedule 2 of the Planning and Development Regulations.

It is possible that Items 6 and 7 could be deemed to comprise of exempted development under Class 33 also, though these elements and their proposed usage it is acknowledged, do not so readily fall with the provisions of Class 33.

We trust that the foregoing and the accompanying plans and particulars provide sufficient information to allow the Planning Authority to make an informed assessment of this matter and to issue a declaration in relation to the exempted development status of the various development elements as described in section 1.

It is the intention of Cork ARC to commence work on this project as soon as possible. We would therefore be grateful if this request could be dealt with as expeditiously as possible to allow work to commence on the exempted development elements while permission will be sought if necessary should some of the elements be deemed not to comprise exempted development.

We look forward to hearing from you at your earliest convenience.

Yours sincerely,
for RPS Group Limited

Maria Lombard
Director - Planning & Environment
maria.lombard@rpsgroup.com
021-4665900

cc: Catriona O'Mahony, Cork ARC Cancer Support House
 Michael Minehane, RPS
 Adrian Farry, Mainline

Enclosures

The list of enclosures to accompany the Declaration 5 application form and this covering letter is as follows:

1. Cork ARC Cover Letter;
2. Maps & Drawings;
3. Supplier Drawings & Details;
4. Site Photos.



CANCER SUPPORT HOUSE

Support for cancer patients and their families

Sarsfield Road, Wilton, Cork T12 EW9A

CONTACT

tel 021 427 6688

email info@corkcancersupport.ie

FUNDRAISING OFFICE

tel 021 427 5050

email fundraising@corkcancersupport.ie

9th February 2023

To Whom It May Concern,

Cork ARC Cancer Support House is a safe haven for all those affected by cancer, offering a nurse-led, professional and confidential service for anyone whose life has been touched by cancer. The core of our support is provided through our drop-in and telephone service where people can call without an appointment and talk with a nurse or trained volunteer.

The other services we offer are by appointment, covering a wide range of complementary therapies such as massage and reflexology, counselling, and acupuncture.

We have groups such as tai chi, art therapy, yoga, meditation, pilates for men, and pilates for women after breast cancer surgery. We also run support groups for people with a breast cancer diagnosis and for people living with an advanced cancer. We provide information on general welfare and benefit entitlements as well as information and workshops on various cancer related topics throughout the year.

We are constantly evolving and adapting to the changing needs of cancer patients and their loved ones and are delighted to now offer the CLIMB® Programme for children aged 5 to 12 years who have a significant adult in their life who has been diagnosed with cancer along with our Get Active after Cancer Programme for Men. We also run the NCCP Survivorship Programme, Cancer Thriving and Surviving, to aid the transition from active treatment to living well with and beyond cancer, it is a self-management programme developed by Stanford University.

We have dedicated centres at Sarsfield Road and Bantry. Our services are free of charge and delivered by a core staff and a large team of volunteers. Last year we delivered over 10,000 services and none of this is possible without the tremendous generosity and goodwill of our community, on whom we rely for more than 92% of our funding.

In 2019, we completed the refurbishment of our newly acquired, significantly larger premises at Sarsfield Road and in September transferred our operations there from O'Donovan Rossa Road. This two-storey, 8,000 sq ft period home in Wilton has been transformed into a state-of-the-art cancer support facility where we are meeting over one hundred new people affected by cancer every month.



www.corkcancersupport.ie

Cork ARC Cancer Support House CLG

Trustees: Jill Ahern, Pat Kierans, Damian McGovern, Sinead McNamara, Paul Montgomery, Honor Moore, Louise Nestor, Seamus O'Reilly, Kaye Ronayne • Registered Office Sarsfield Road, Wilton, Cork T12 EW9A
• Company Registration No. 655174 • Registered Charity No. 20049881



CANCER SUPPORT HOUSE

Support for cancer patients and their families

Sarsfield Road, Wilton, Cork T12 EW9A

CONTACT

tel 021 427 6688

email info@corkcancersupport.ie

FUNDRAISING OFFICE

tel 021 427 5050

email fundraising@corkcancersupport.ie

The land adjacent to the house is the area we are planning to develop for our Therapeutic Garden Project. This garden would be used by our services users who may be distressed or upset after a counselling appointment or after calling to the house. We also plan to hold our exercise classes such as Yoga, Pilates and Tai Chi outside in the garden when weather allows. The pod structures would be used for counselling, art therapy and play therapy for children.

We also plan to increase the number of men using our services over the coming years. The allotment area in the garden would assist us in doing this as it would allow us to start a men's groups who would both maintain the garden and have ownership of this area. It is well known that men are more inclined to talk when standing side by side and we believe that the friendships built and the support these men would receive from each other while working on the garden would be of great benefit to them.

We have been blown away by the generosity of companies such as Mainline, RPS and Kabana Cabins who are giving so generously of their time and expertise to make this project happen. We look forward to this project being completed so our service users and their loved ones can benefit from it.

If you require any further information please do not hesitate to contact me.

Kind regards,

A handwritten signature in black ink that reads 'Catriona O'Mahony'.

Catriona O'Mahony

General Manager



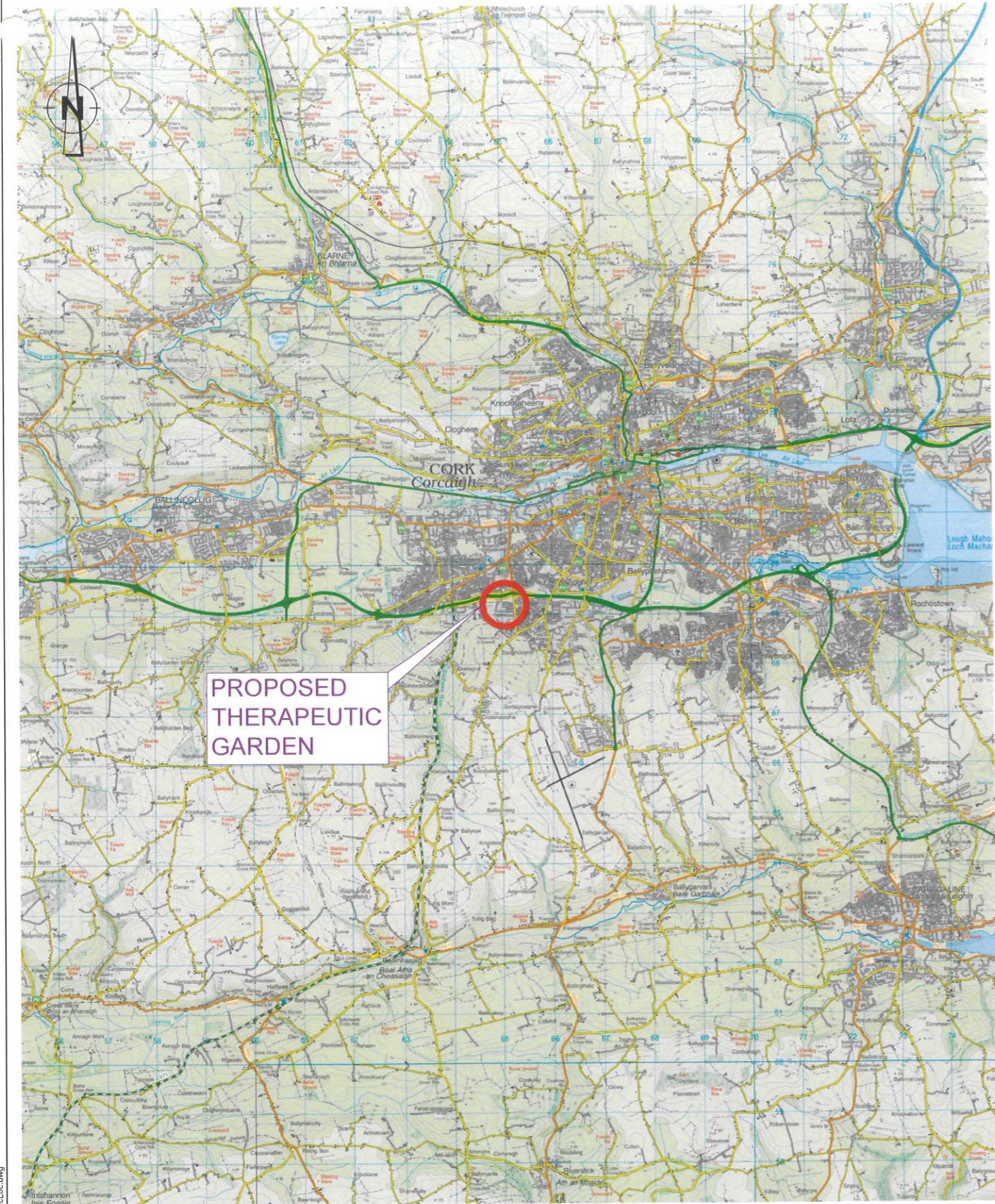
www.corkcancersupport.ie

Cork ARC Cancer Support House CLG

Trustees: Jill Ahern, Pat Kierans, Damian McGovern, Sinead McNamara, Paul Montgomery, Honor Moore, Louise Nestor, Seamus O'Reilly, Kaye Ronayne • Registered Office Sarsfield Road, Wilton, Cork T12 EW9A
• Company Registration No. 655174 • Registered Charity No. 20049881

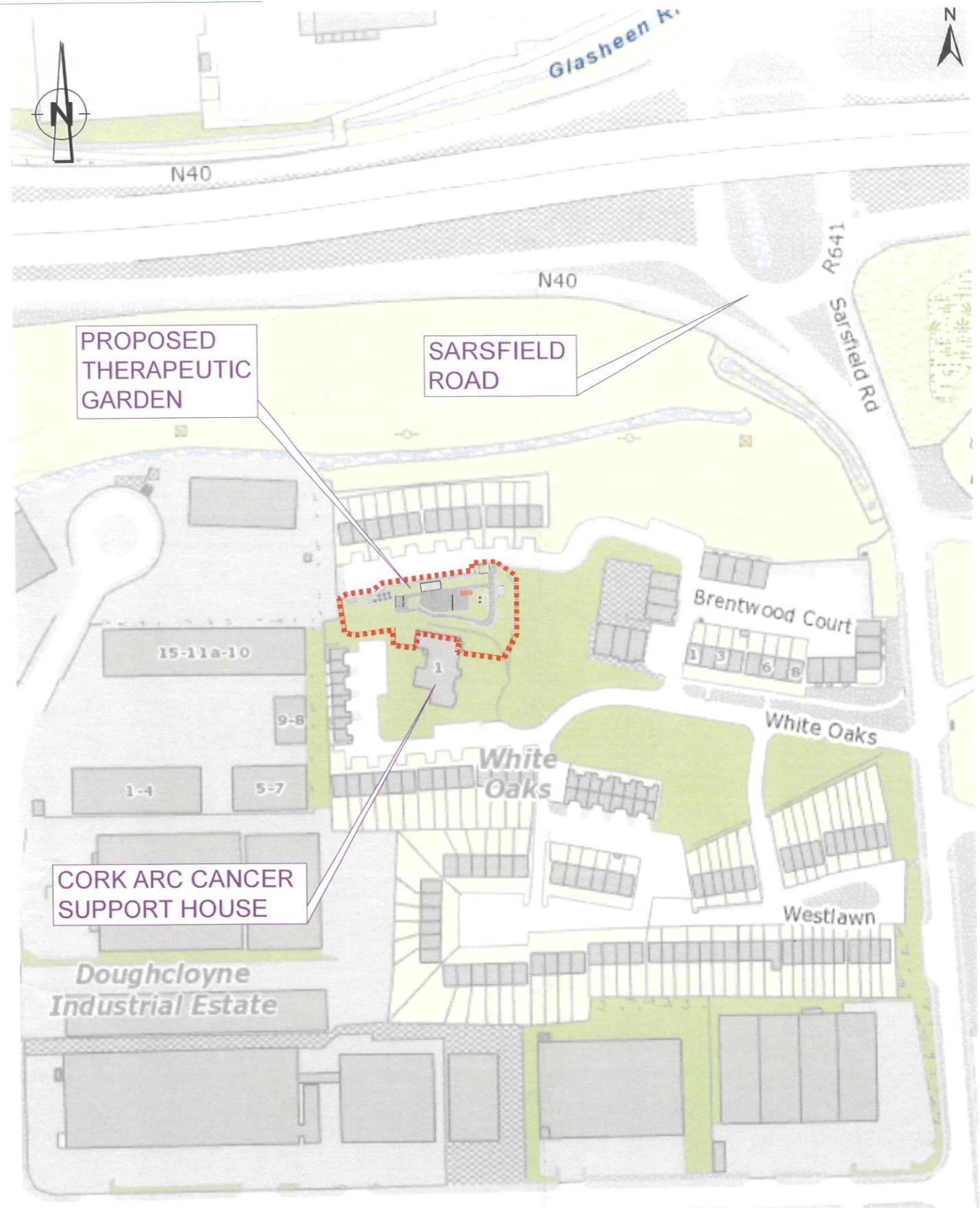
MAPS & DRAWINGS

THERAPEUTIC GARDEN PROJECT: INDICATIVE LAYOUT



PROPOSED THERAPEUTIC GARDEN

1 : 50,000 LOCATION MAP
(Scale 1 : 50,000)



PROPOSED THERAPEUTIC GARDEN

SARSFIELD ROAD

CORK ARC CANCER SUPPORT HOUSE

1 : 1,000 LOCATION MAP
(Scale 1 : 1,000)



General Notes

(i) Hard copies, dwf and pdf will form a controlled issue of the drawing. All other formats (dwg etc.) are deemed to be an uncontrolled issue and any work carried out based on these files is at the recipient's own risk. RPS will not accept any responsibility for any errors from the use of these files, either by human error by the recipient, listing of the un-dimensioned measurements, compatibility with the recipient's software, and any errors arising when these files are used to aid the recipient's drawing production, or setting out on site.

(ii) DO NOT SCALE, use figured dimensions only.

(iii) This drawing is the property of RPS, it is a project confidential classified document. It must not be copied used or its contents divulged without prior written consent. The needs and expectations of client and RPS must be considered when working with this drawing.

(iv) Information including topographical survey, geotechnical investigation and utility detail used in the design have been provided by others.

(v) All Levels refer to Ordnance Survey Datum, Malin Head.

Rev	Date	By	CHK	Amendment / Issue	App
01	Mar 23	DC	MM	ISSUE FOR APPROVAL	MM

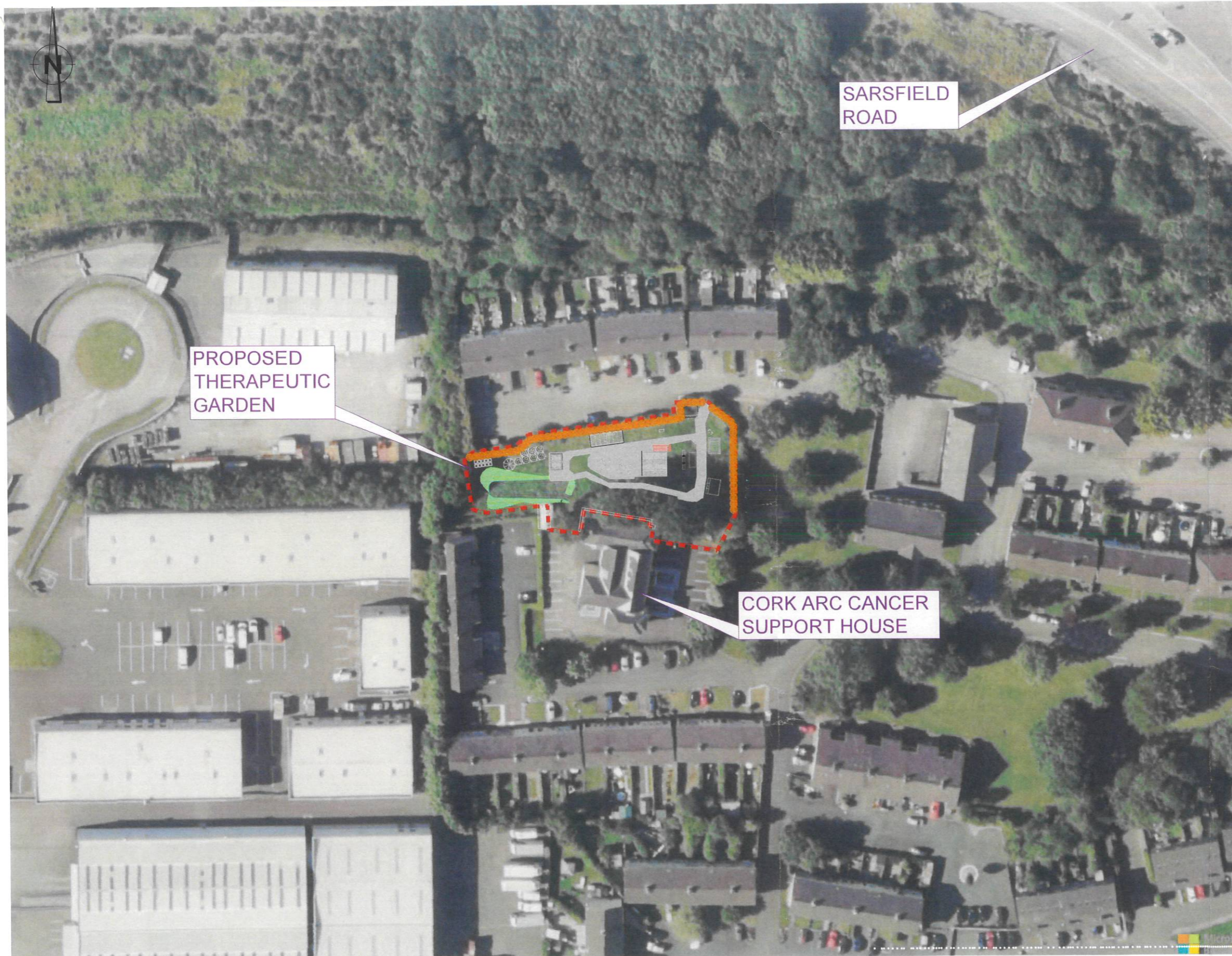
RPS
A TETRA TECH COMPANY
Innishmore,
Ballincollig,
Co. Cork, Ireland

T +353 21 4665900
W www.rpsgroup.com/ireland
E ireland@rpsgroup.com

Model File Identifier
ArcLoc

Scale	As shown @ A1 Half @ A3	Project	CORK ARC CANCER SUPPORT HOUSE : THERAPEUTIC GARDEN PROJECT
Created on	Dec.22	Title	LOCATION MAP
Sheets	01 of 5		(Sheet 1 of 1)
File Identifier	ArcLoc	Status	S4
	- 01	Rev	P01

THERAPEUTIC GARDEN PROJECT: INDICATIVE LAYOUT



LOCATION PLAN
(Scale 1 : 500)

PROJECT TEAM



Mainline



R:\MCT\299881\Task 09 - Arc Gardens\ArcSite.dwg

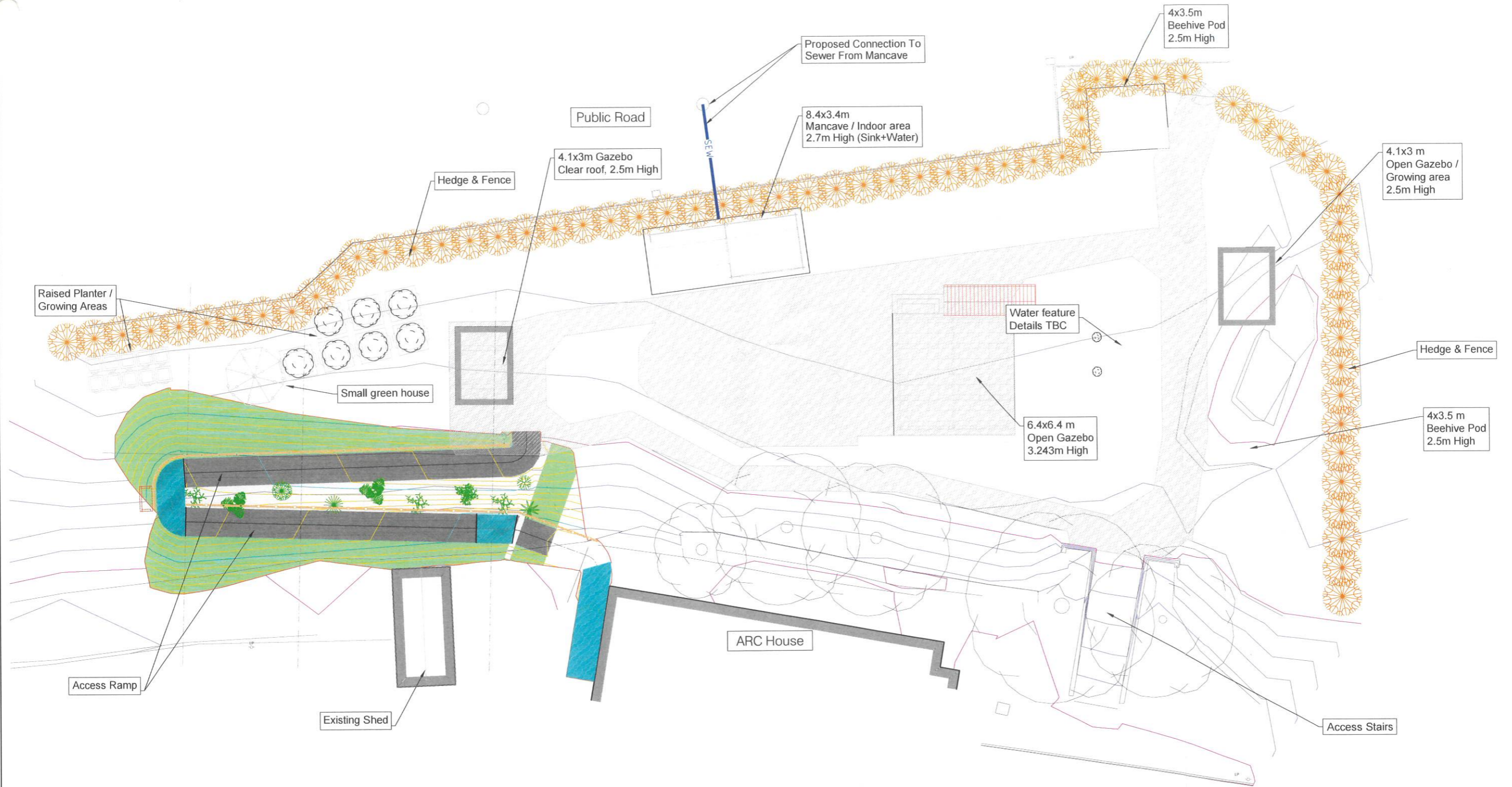


Status	Date	By	Check	Amendment / Issue	App
Iss	Mar '23	Do	MM	ISSUE FOR APPROVAL	MM
Rev	Feb '23	Do	MM	INDICITIVE LAYOUT	MM

RPS
A TETRA TECH COMPANY
Innishmore, Ballincollig, Co. Cork, Ireland
T +353 21 4665900
W www.rpsgroup.com/ireland
E ireland@rpsgroup.com

Scale	As shown @ A1 Half @ A3	Project	CORK ARC CANCER SUPPORT HOUSE : THERAPEUTIC GARDEN PROJECT		
Created on	Dec '22	Title	LOCATION PLAN		
Sheets	01 of 5		(Sheet 1 of 1)		
File Identifier	ArcSite - 01	Status	S4	Rev	P01

THERAPEUTIC GARDEN PROJECT: INDICATIVE LAYOUT



SITE LAYOUT
(Scale 1: 100)

R:\MCT2988\Task69 - Arc Garden\OpArcSite.dwg



General Notes
 (i) Hard copies, dwf and pdf will form a controlled issue of the drawing. All other formats (dwg etc.) are deemed to be an uncontrolled issue and any work carried out based on these files is at the recipient's own risk. RPS will not accept any responsibility for any errors from the use of these files, either by human error by the recipient, listing of the un-dimensioned measurements, compatibility with the recipient's software, and any errors arising when these files are used to aid the recipient's drawing production, or setting out on site.
 (ii) DO NOT SCALE, use figured dimensions only.

(iii) This drawing is the property of RPS, it is a project confidential classified document. It must not be copied used or its contents divulged without prior written consent. The needs and expectations of client and RPS must be considered when working with this drawing.
 (iv) Information including topographical survey, geotechnical investigation and utility detail used in the design have been provided by others.
 (v) All Levels refer to Ordnance Survey Datum, Malin Head.

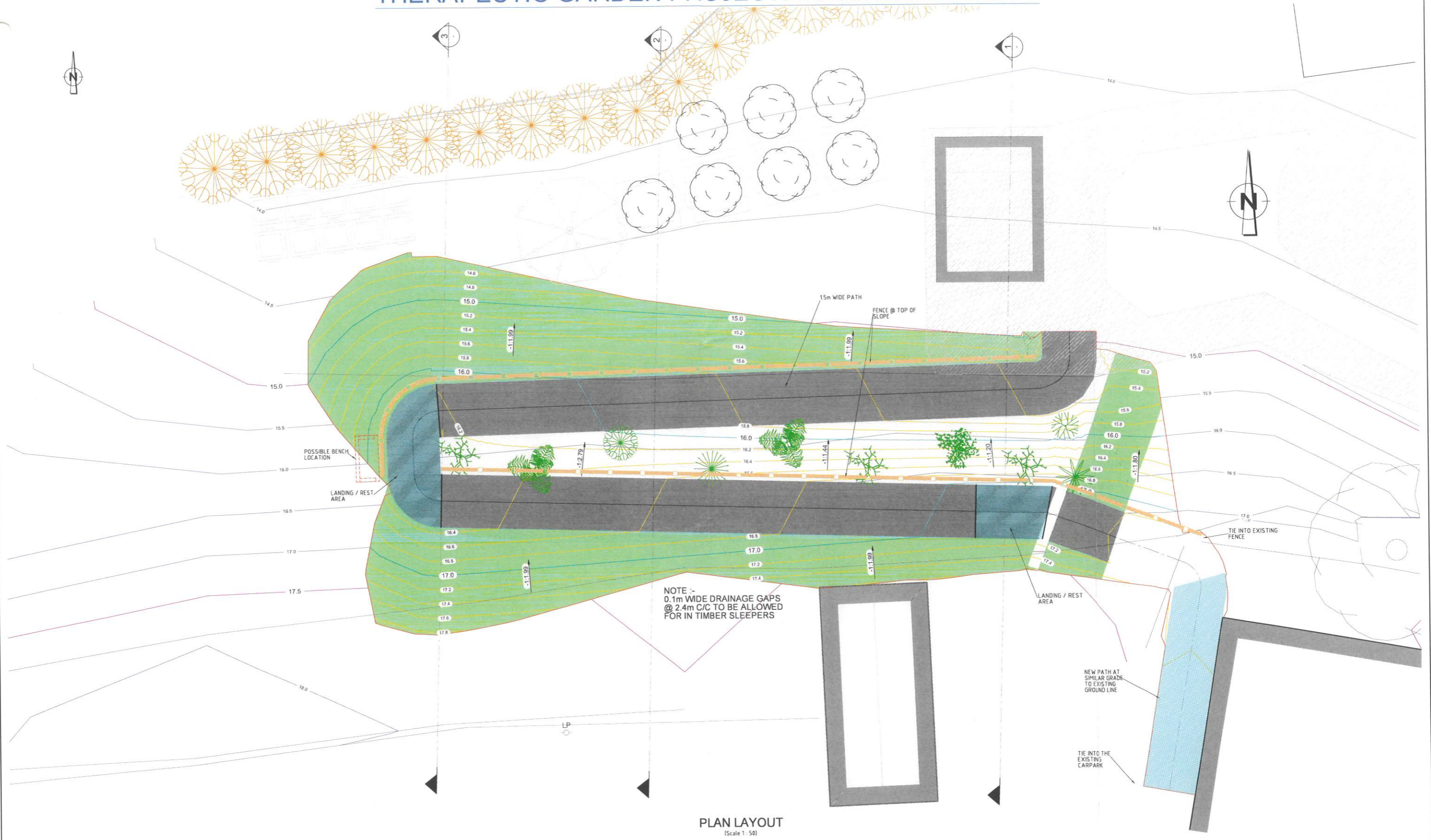
Status	Date	By	App	Amendment / Issue
Rev				
01	Mar. 23	DC	MM	ISSUE FOR APPROVAL
02	Feb. 23	DC	MM	INDICITIVE LAYOUT

RPS
A TETRA TECH COMPANY
 Innishmore,
 Ballincollig,
 Co. Cork, Ireland
 T +353 21 4665900
 W www.rpsgroup.com/ireland
 E ireland@rpsgroup.com

Scale	As shown @ A1 Half @ A3
Created on	Dec. 22
Sheets	02 of 5

Project	CORK ARC CANCER SUPPORT HOUSE : THERAPEUTIC GARDEN PROJECT	
Title	SITE PLAN (Sheet 1 of 1)	
File Identifier	ArcSite	- 02
Status	S4	Rev
		P01

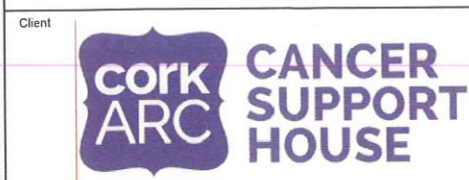
THERAPEUTIC GARDEN PROJECT: INDICATIVE LAYOUT



NOTE :-
0.1m WIDE DRAINAGE GAPS
@ 2.4m C/C TO BE ALLOWED
FOR IN TIMBER SLEEPERS

PLAN LAYOUT
(Scale 1 : 50)

R:\MCT29988\Task 69 - Arc Garden\Drawings\Site.dwg



General Notes

(i) Hard copies, dwf and pdf will form a controlled issue of the drawing. All other formats (dwg etc.) are deemed to be an uncontrolled issue and any work carried out based on these files is at the recipients own risk. RPS will not accept any responsibility for any errors from the use of these files, either by human error by the recipient, listing of the un-dimensioned measurements, compatibility with the recipients software, and any errors arising when these files are used to aid the recipients drawing production, or setting out on site.

(ii) DO NOT SCALE, use figured dimensions only.

(iii) This drawing is the property of RPS, it is a project confidential classified document. It must not be copied used or its contents divulged without prior written consent. The needs and expectations of client and RPS must be considered when working with this drawing.

(iv) Information including topographical survey, geotechnical investigation and utility detail used in the design have been provided by others.

(v) All Levels refer to Ordnance Survey Datum, Malin Head.

Rev	Date	By	App	Amendment / Issue
01	Mar 23	DC/DC	MM	ISSUE FOR APPROVAL
02	Feb 23	DC/MM	MM	INDICATIVE LAYOUT

RPS
A TETRA TECH COMPANY
Innishmore,
Ballincollig,
Co. Cork, Ireland

T +353 21 4665900
W www.rpsgroup.com/ireland
E ireland@rpsgroup.com

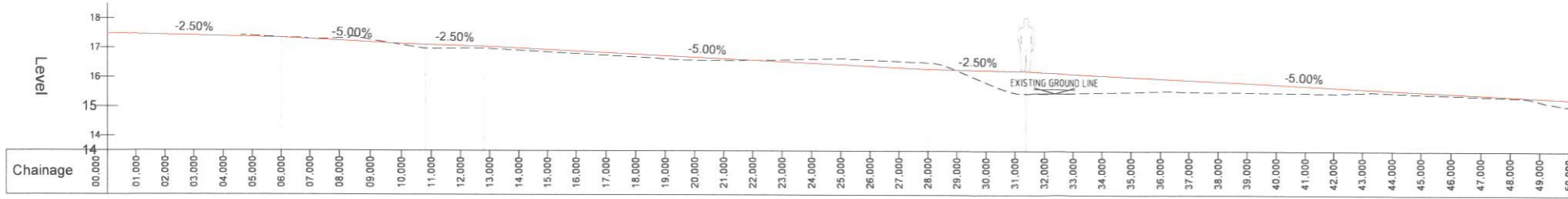
Model File Identifier
ArcSite

Scale	As shown @ A1 Half @ A3
Created on	Dec.22
Sheets	03 of 5

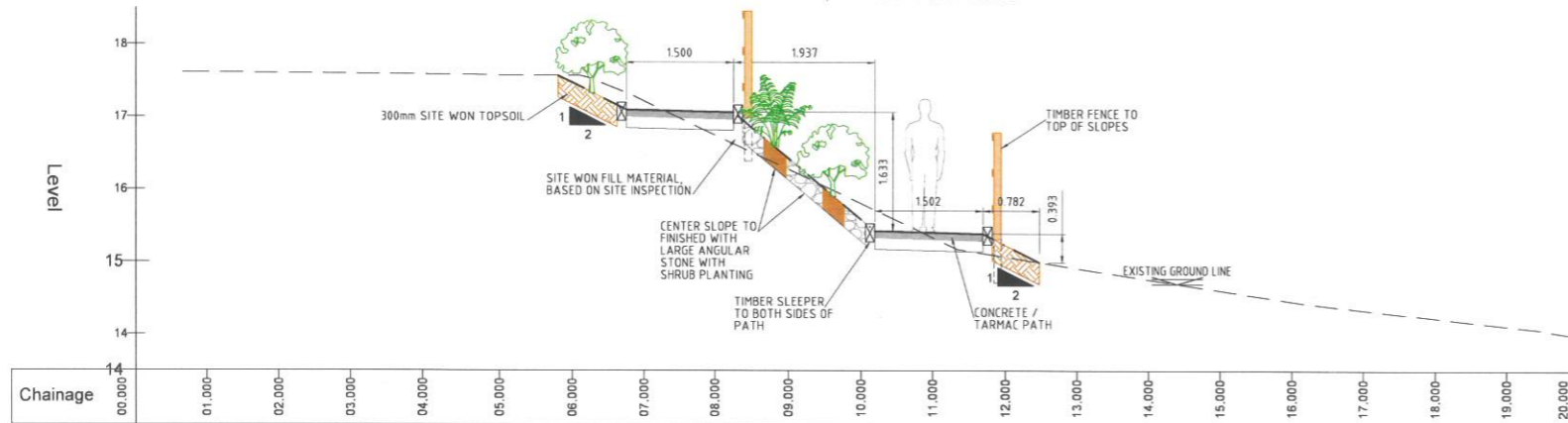
Project	CORK ARC CANCER SUPPORT HOUSE : THERAPEUTIC GARDEN PROJECT	
Title	PROPOSED WESTERN PATH (Sheet 1 of 2)	
File Identifier	ArcSite	- 03
Status	S4	Rev P01

THERAPEUTIC GARDEN PROJECT: INDICATIVE LAYOUT

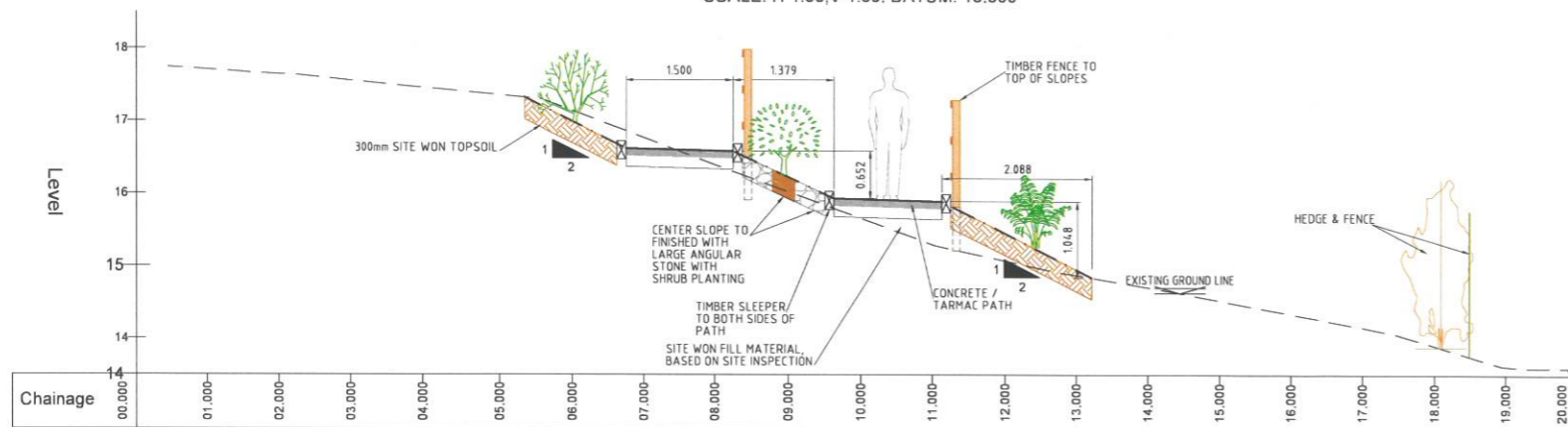
ARC GARDEN - LONGSECTION
SCALE: H 1:50, V 1:50. DATUM: 13.500



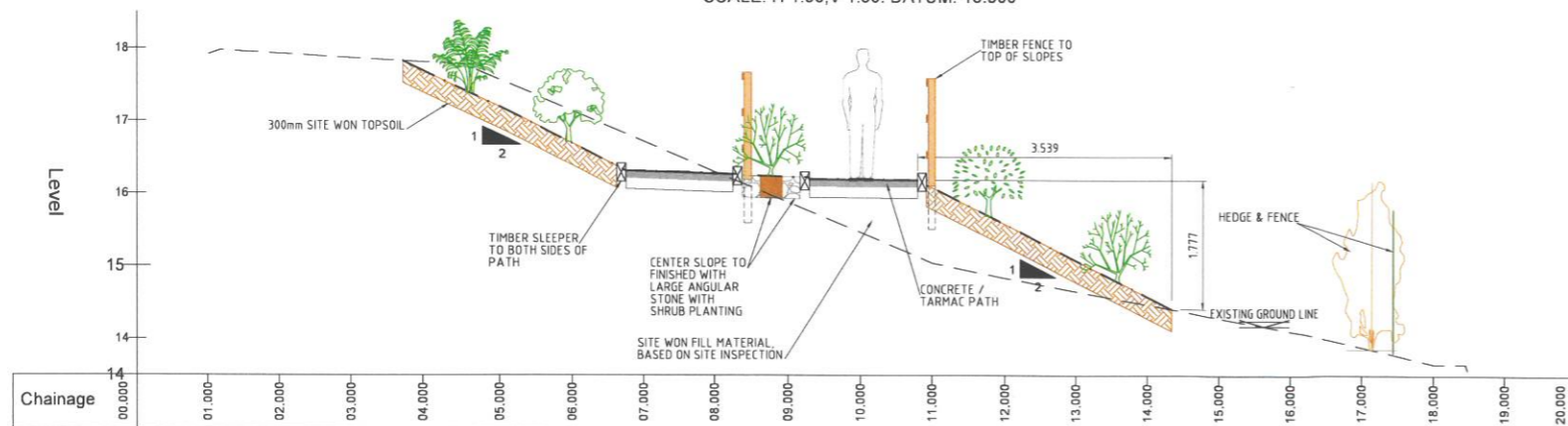
ARC GARDEN SEC1 - LONGSECTION
SCALE: H 1:50, V 1:50. DATUM: 13.500



ARC GARDEN SEC2 - LONGSECTION
SCALE: H 1:50, V 1:50. DATUM: 13.500



ARC GARDEN SEC3 - LONGSECTION
SCALE: H 1:50, V 1:50. DATUM: 13.500



R:\MCT\29886\Task 65 - Arc Garden\Dg\ArcSite.dwg

Client

CORK ARC CANCER SUPPORT HOUSE

General Notes

(i) Hard copies, dwf and pdf will form a controlled issue of the drawing. All other formats (dwg etc.) are deemed to be an uncontrolled issue and any work carried out based on these files is at the recipient's own risk. RPS will not accept any responsibility for any errors from the use of these files, either by human error by the recipient, listing of the un-dimensioned measurements, compatibility with the recipient's software, and any errors arising when these files are used to aid the recipient's drawing production, or setting out on site.

(ii) DO NOT SCALE, use figured dimensions only.

(iii) This drawing is the property of RPS, it is a project confidential classified document. It must not be copied used or its contents divulged without prior written consent. The needs and expectations of client and RPS must be considered when working with this drawing.

(iv) Information including topographical survey, geotechnical investigation and utility detail used in the design have been provided by others.

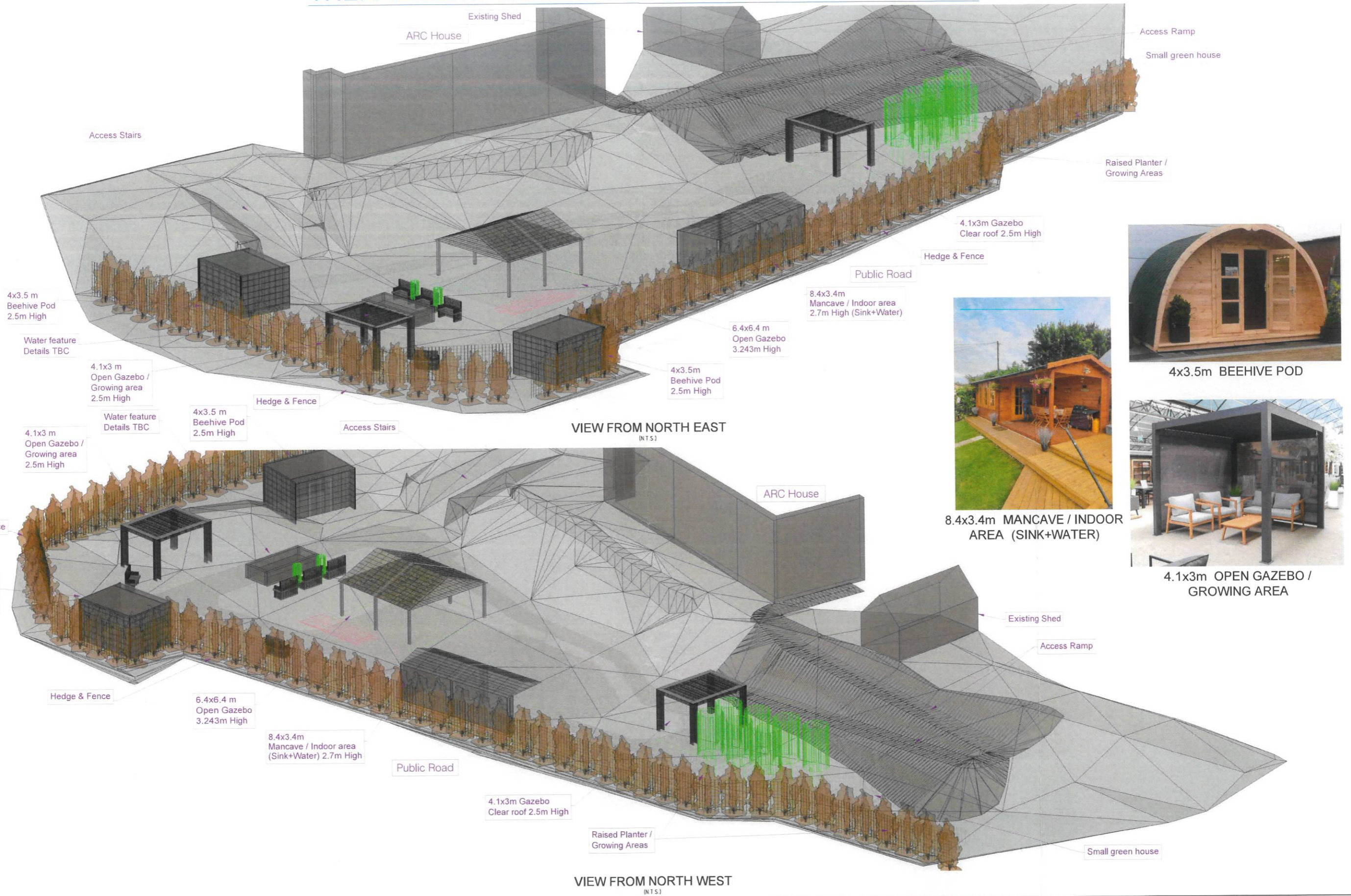
(v) All Levels refer to Ordnance Survey Datum, Malin Head.

Rev	Date	Dim Chk	Amendment / Issue	App
01	Mar. 23	OC	ISSUE FOR APPROVAL	MM
02	Feb. 23	OC	INDICATIVE LAYOUT	MM

Model File Identifier: ArcSite

Scale: As shown @ A1 Half @ A3	Project: CORK ARC CANCER SUPPORT HOUSE : THERAPEUTIC GARDEN PROJECT
Created on: Dec. 22	Title: PROPOSED WESTERN PATH (Sheet 2 of 2)
Sheets: 04 of 5	File Identifier: ArcSite - 04
Status: S4	Rev: P01

THERAPEUTIC GARDEN PROJECT: INDICATIVE LAYOUT



R:\MCT298861\Task 89 - Arc Garden\01\ArcSite.dwg



General Notes

(i) Hard copies, dwf and pdf will form a controlled issue of the drawing. All other formats (dwg etc.) are deemed to be an uncontrolled issue and any work carried out based on these files is at the recipient's own risk. RPS will not accept any responsibility for any errors from the use of these files, either by human error by the recipient, listing of the un-dimensioned measurements, compatibility with the recipient's software, and any errors arising when these files are used to aid the recipient's drawing production, or setting out on site.

(ii) DO NOT SCALE, use figured dimensions only.

(iii) This drawing is the property of RPS, it is a project confidential classified document. It must not be copied used or its contents divulged without prior written consent. The needs and expectations of client and RPS must be considered when working with this drawing.

(iv) Information including topographical survey, geotechnical investigation and utility detail used in the design have been provided by others.

(v) All Levels refer to Ordnance Survey Datum, Malin Head.

Status	Rev	Date	Dr	Ck	App	Amendment / Issue
SA	P01	Mar '23	DC	MM		ISSUE FOR APPROVAL
ES	P02	Feb '23	DC	MM		INDICATIVE LAYOUT

RPS
A TETRA TECH COMPANY

Innishmore,
Ballincollig,
Co. Cork, Ireland

T +353 21 4665900
W www.rpsgroup.com/ireland
E ireland@rpsgroup.com

Model File Identifier
ArcSite

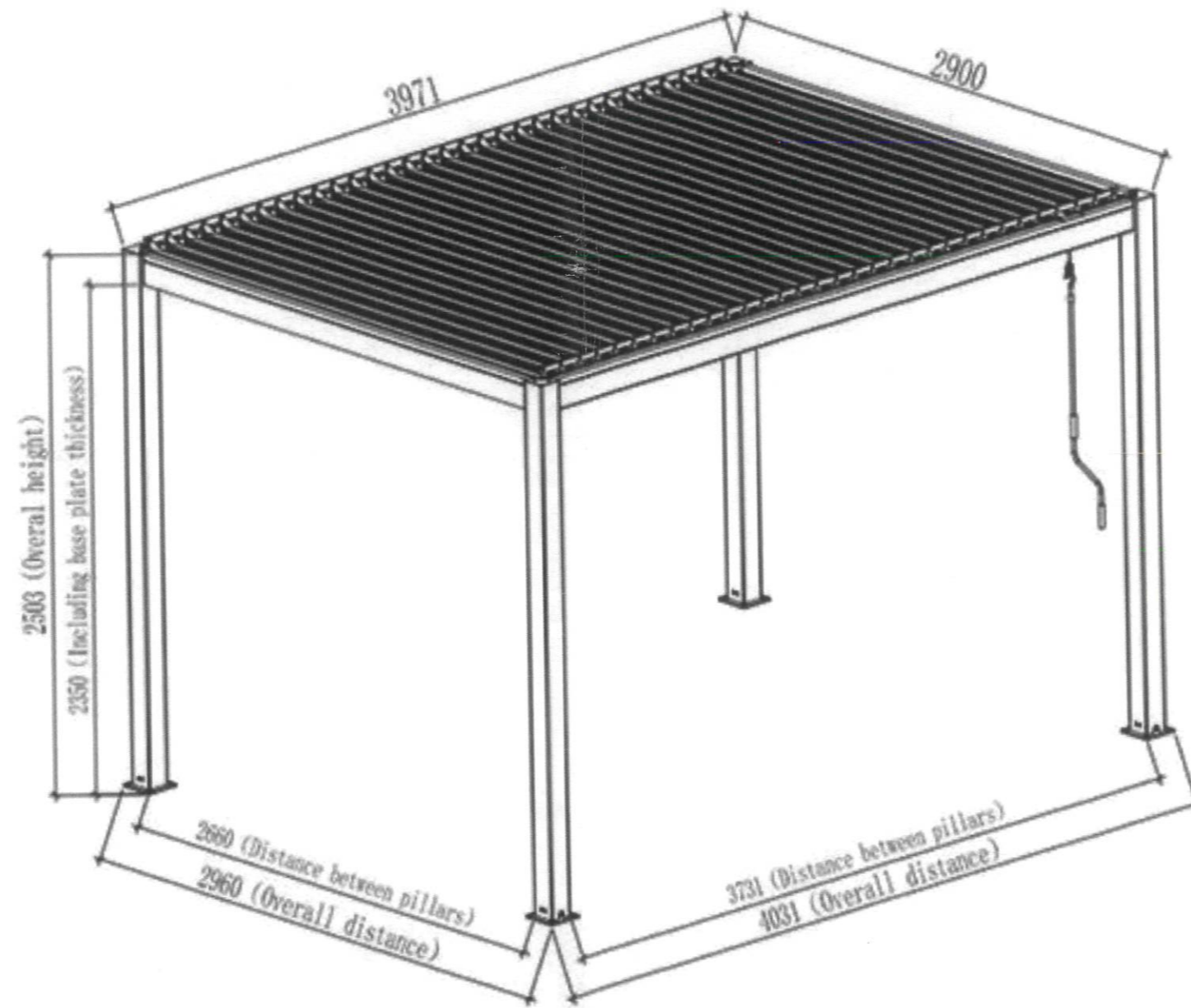
Scale	As shown @ A1 Half @ A3
Created on	Jan '23
Sheets	05 of 5

Project	CORK ARC CANCER SUPPORT HOUSE : THERAPEUTIC GARDEN PROJECT		
Title	PROPOSED WESTERN PATH - 3D VIEWS (Sheet 1 of 1)		
File Identifier	ArcSite	- 05	Status S4
Rev			P01

SUPPLIER DRAWINGS & DETAILS

SIZE: 2960 X 4031 MM

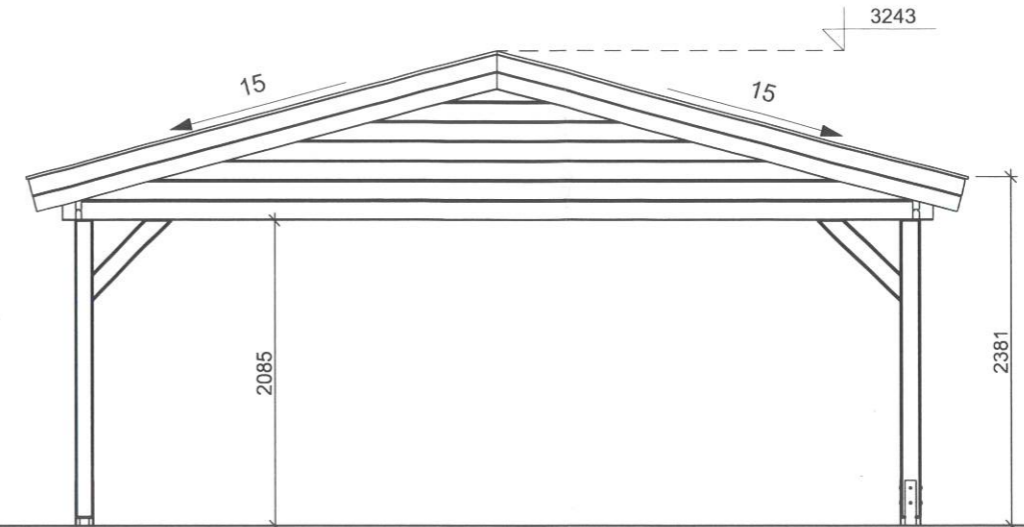
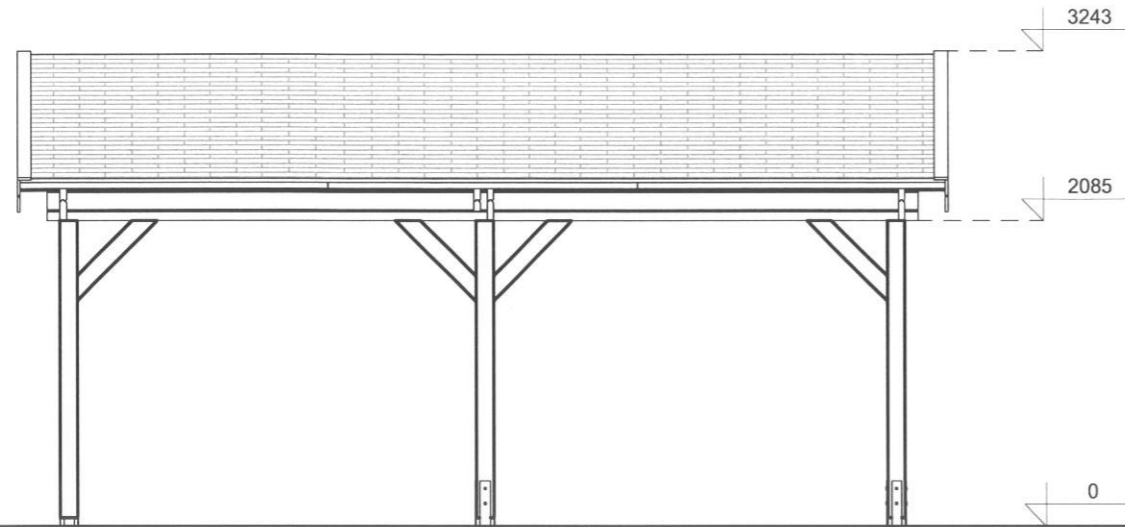
4.1m x 3m OPEN GAZEBO (PAGE 1 OF 1)



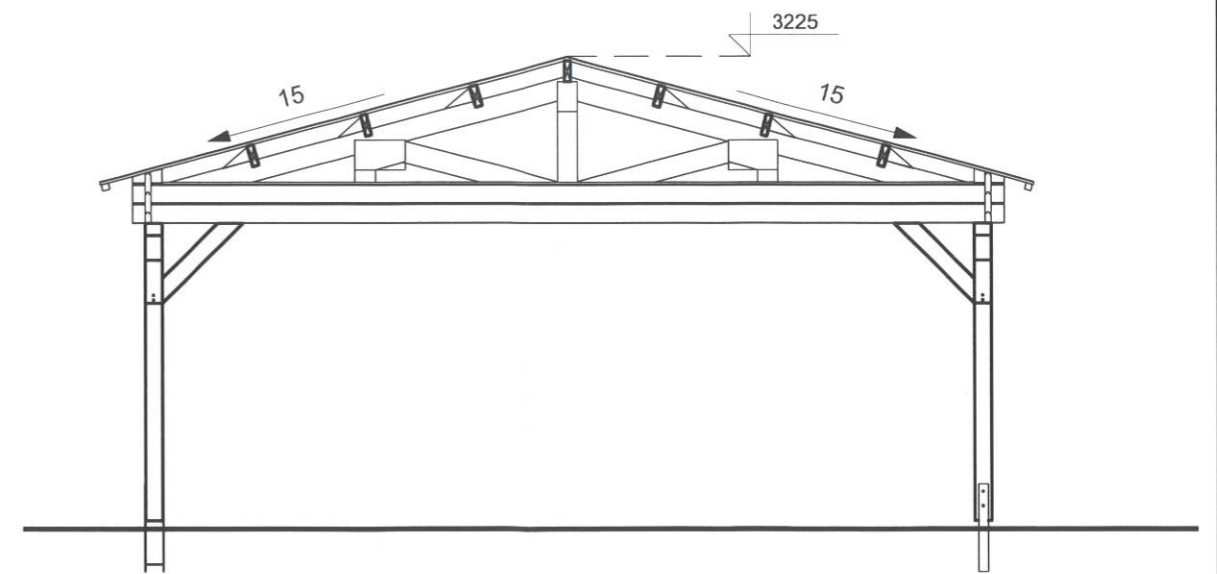
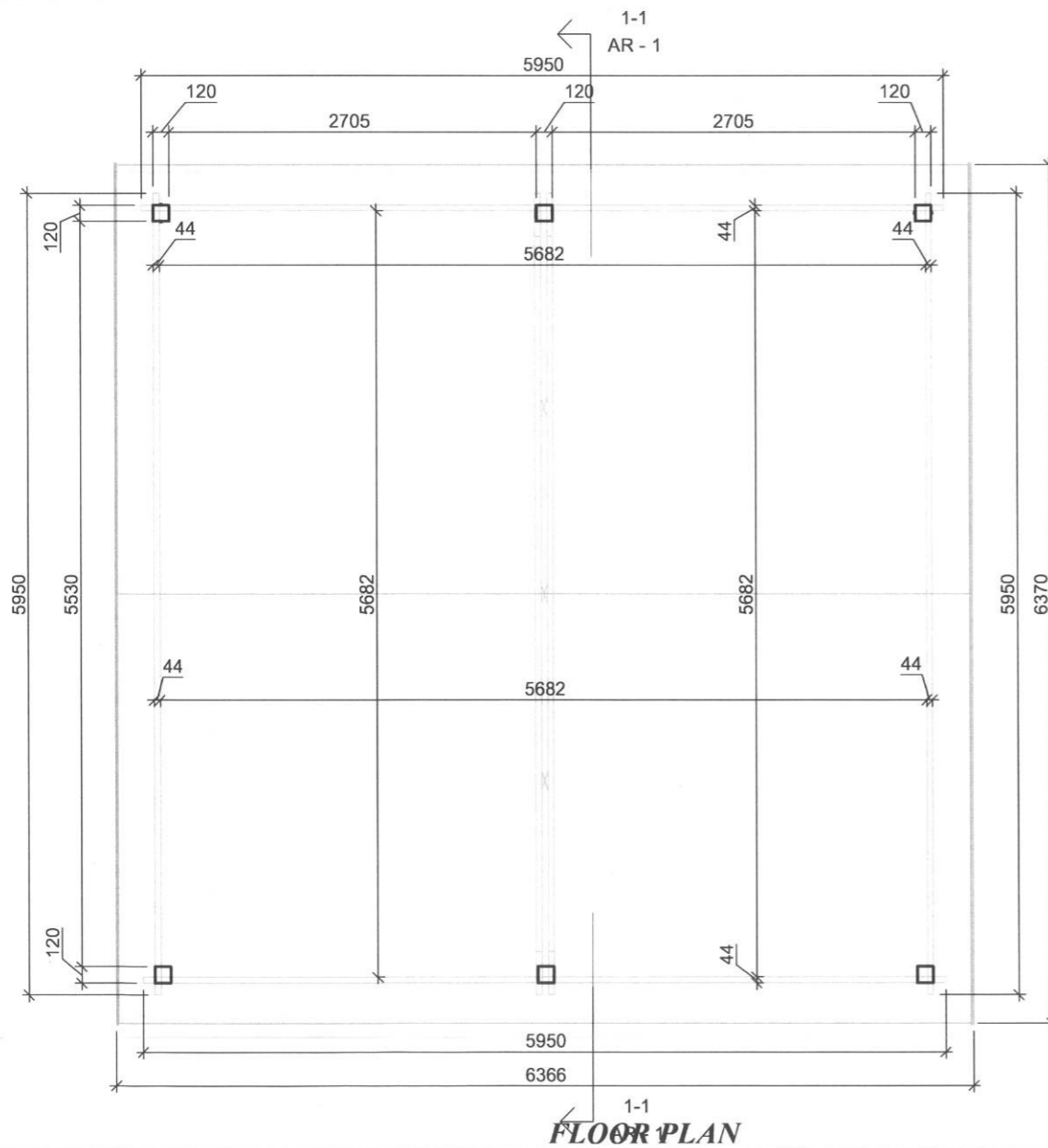
FRONT VIEW

LEFT SIDE VIEW

6.4m x 6.4m OPEN GAZEBO (PAGE 1 OF 2)



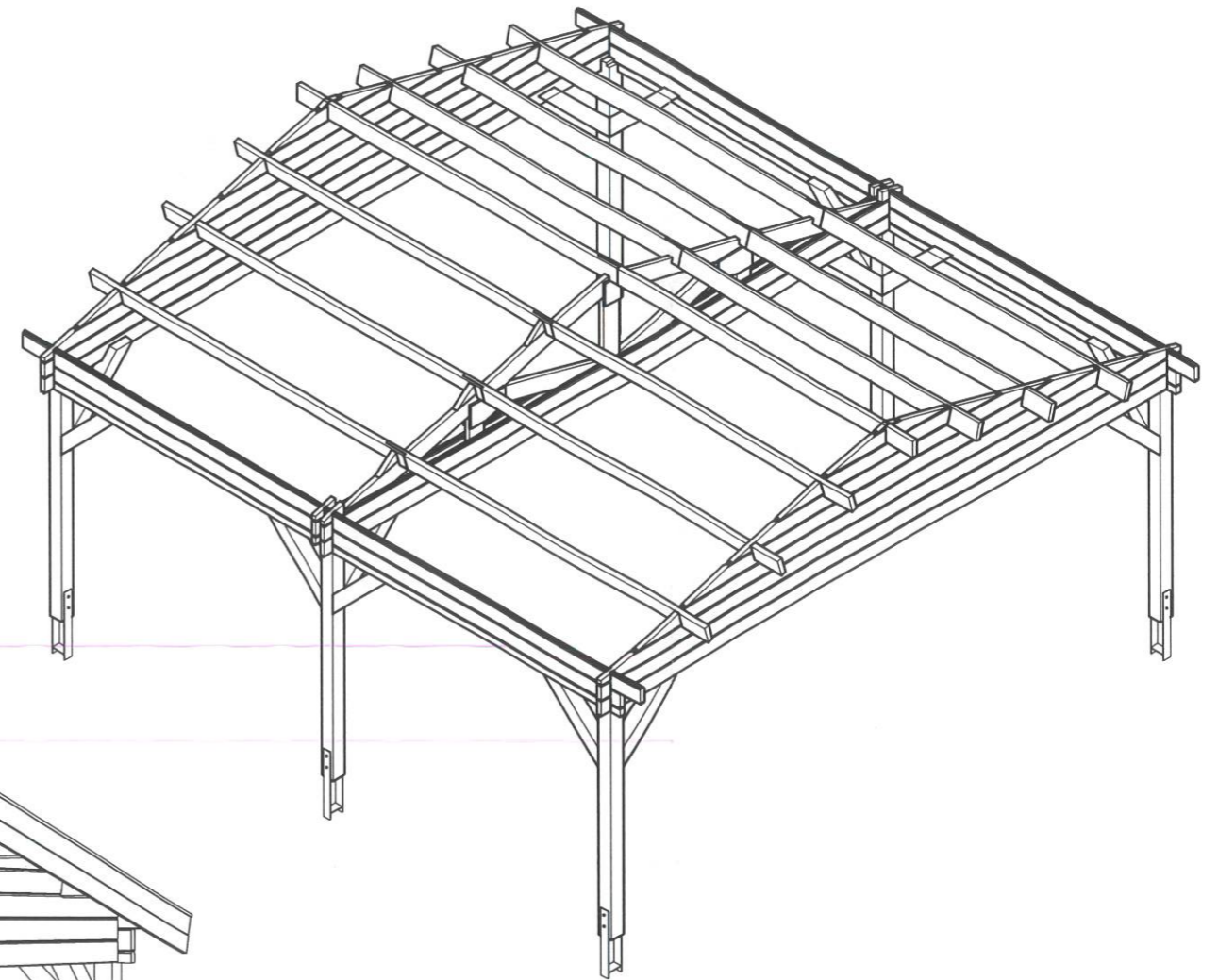
SECTION 1-1



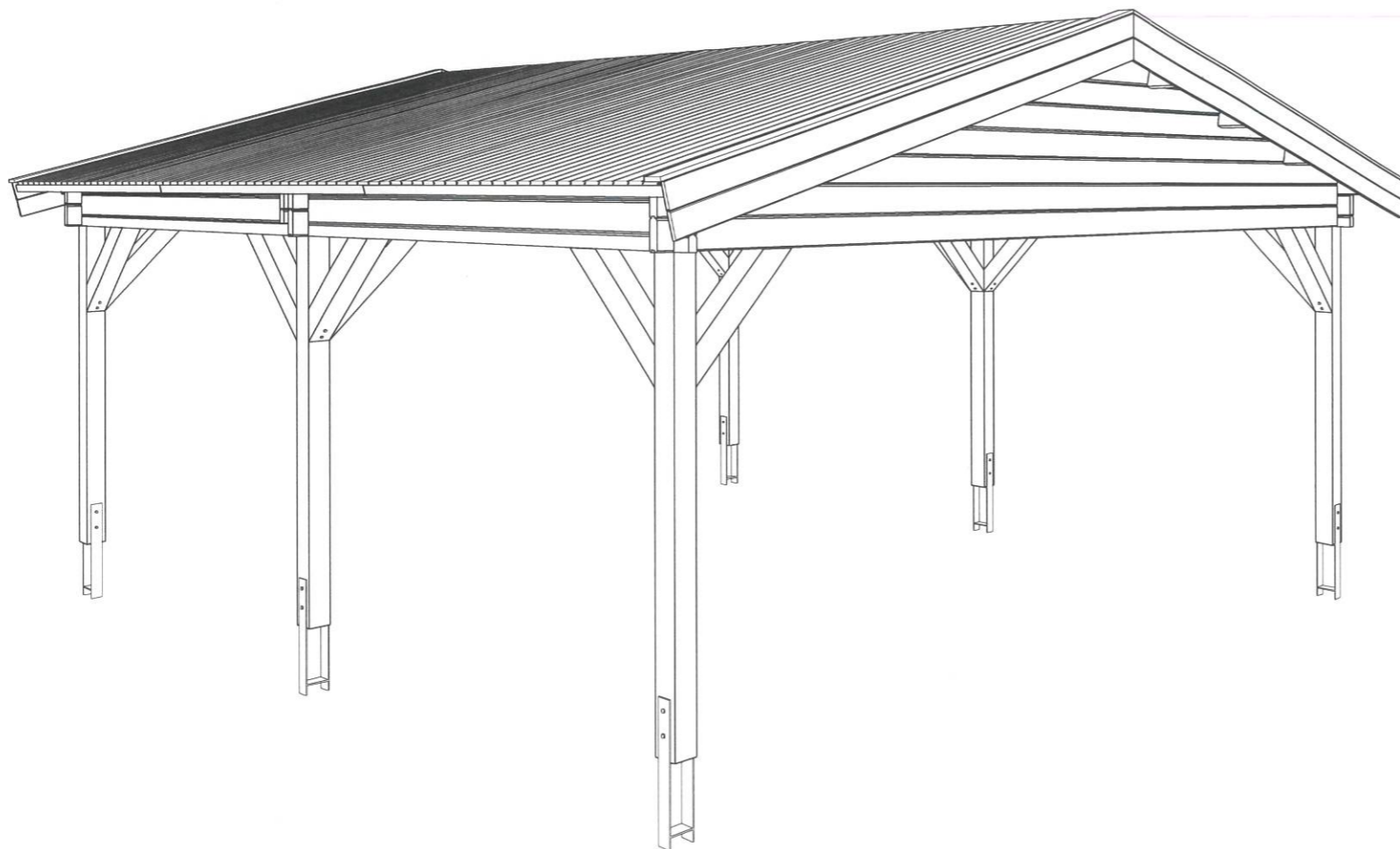
Project Nr.		Carport 595x595cm 44mm		
Dealer		ARCHITECTURE DRAWINGS		Scale
Dealers references	-			1 : 50
	-	Drawer	Sheet Nr.	Date
	-	RB	AR - 1	04.02.2020 12:57:11

6.4m x 6.4m OPEN GAZEBO (PAGE 2 OF 2)

3D VIEW



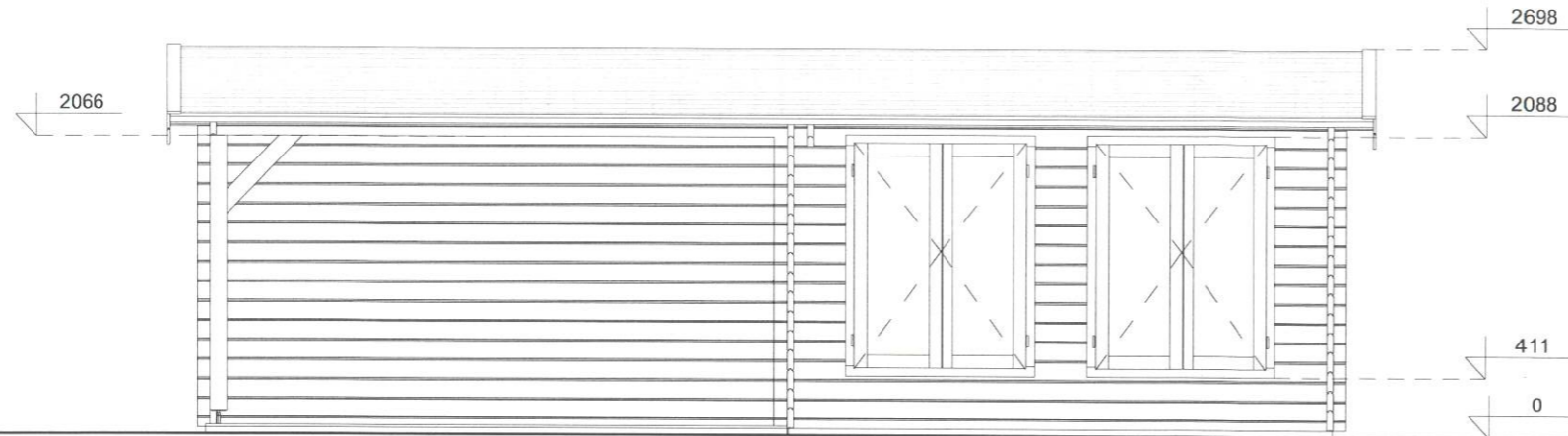
3D VIEW



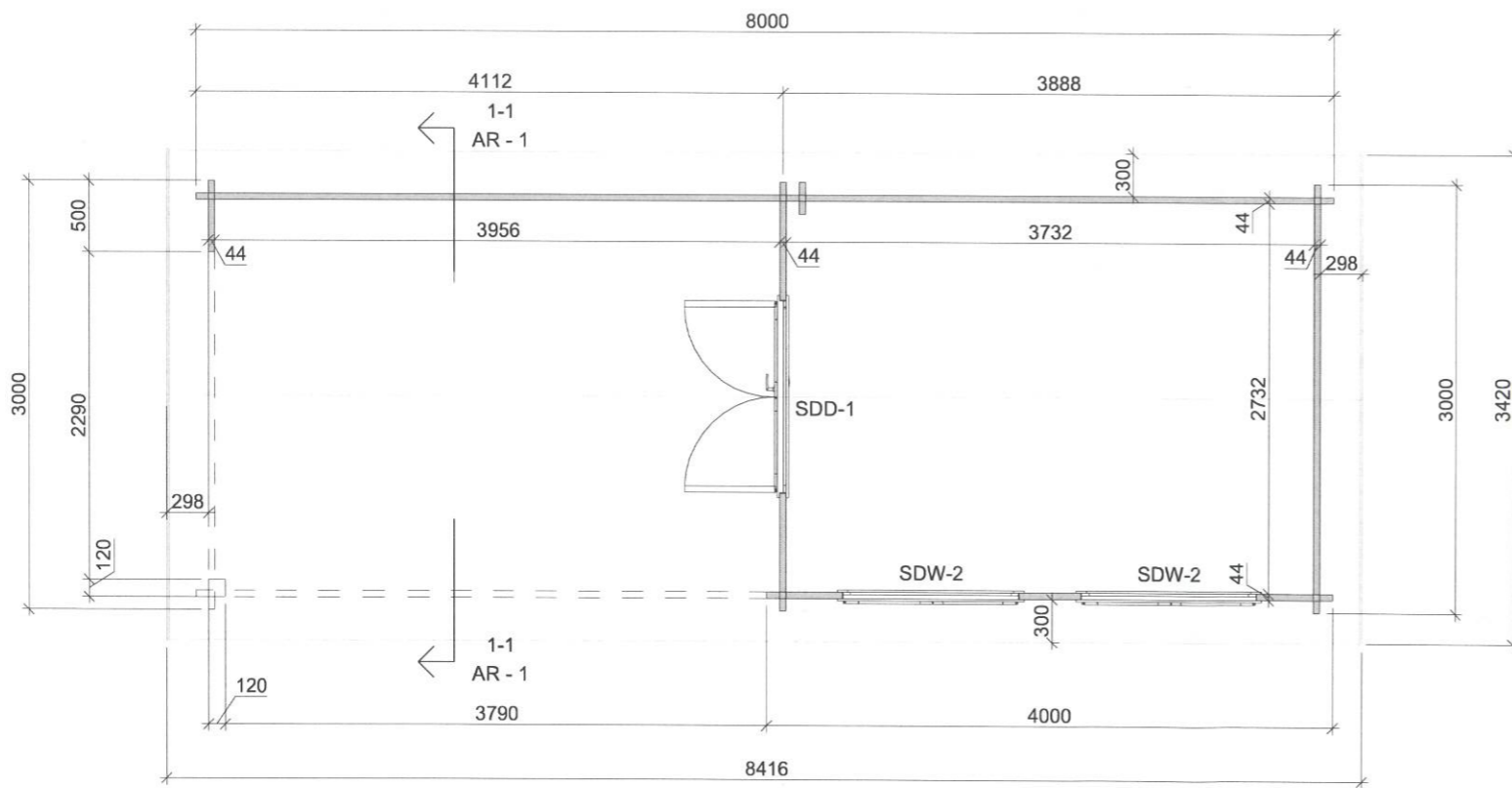
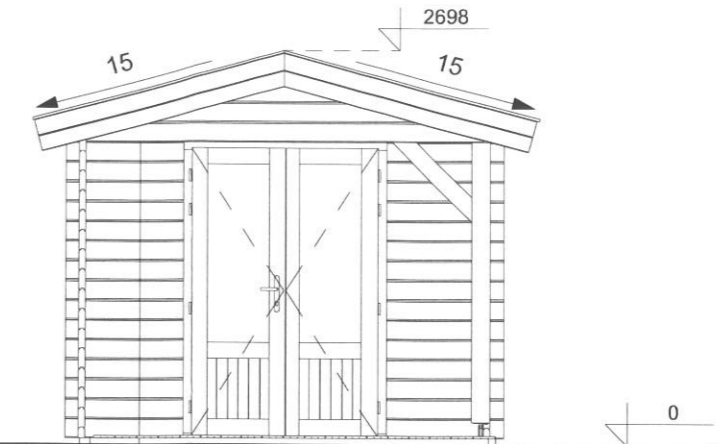
Project Nr.		Carport 595x595cm 44mm		
Dealer		ARCHITECTURE DRAWINGS		Scale
Dealers references	-			Date
	-	Drawer	Sheet Nr.	
	-	RB	AR - 2	04.02.2020 12:57:11

8.4m x 3.4m 'MANCAVE' (PAGE 1 OF 2)

FRONT VIEW

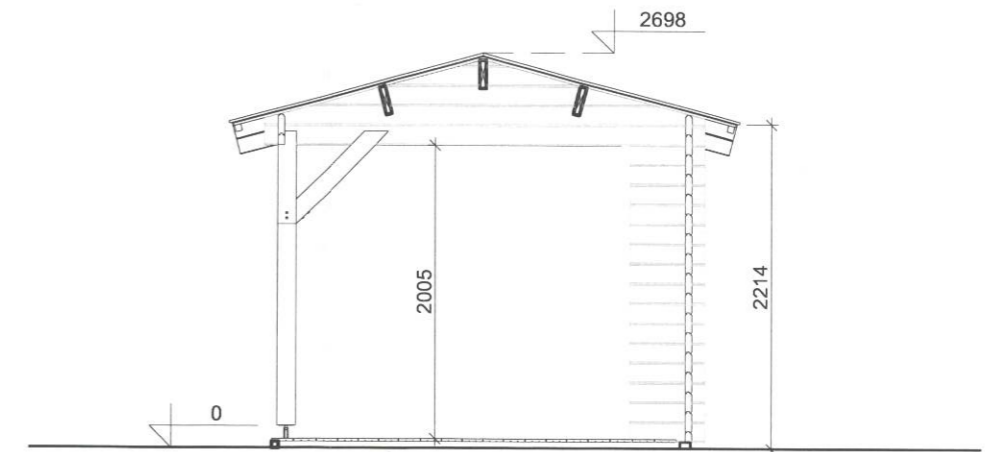


LEFT SIDE VIEW



FLOOR PLAN

SECTION 1-1



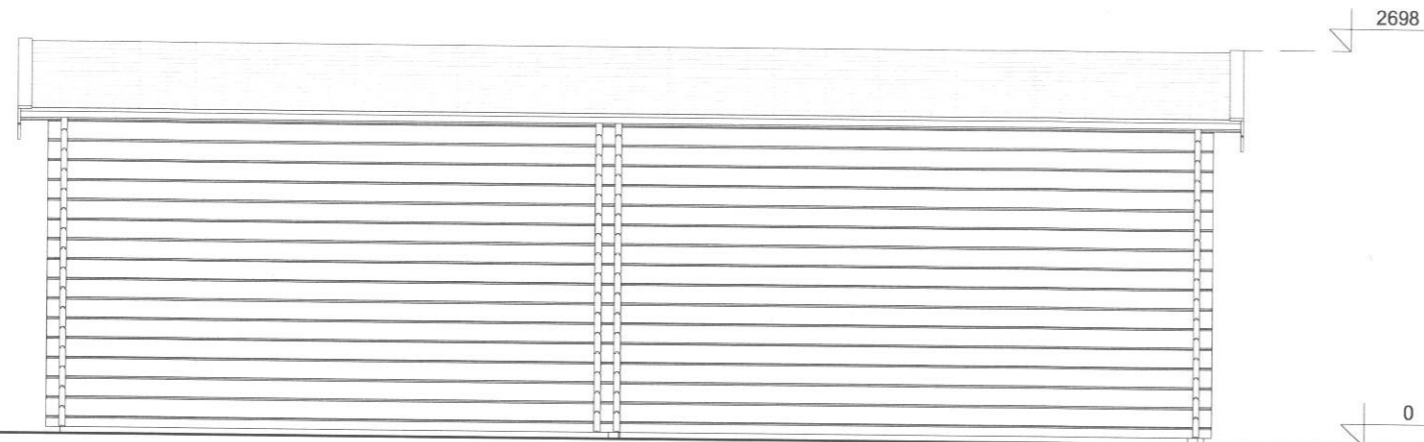
FLOOR SCHEDULE

Description	Area
Ground floor 18mm	10.2 m ²
Larch terrace floor 20mm	11.3 m ²

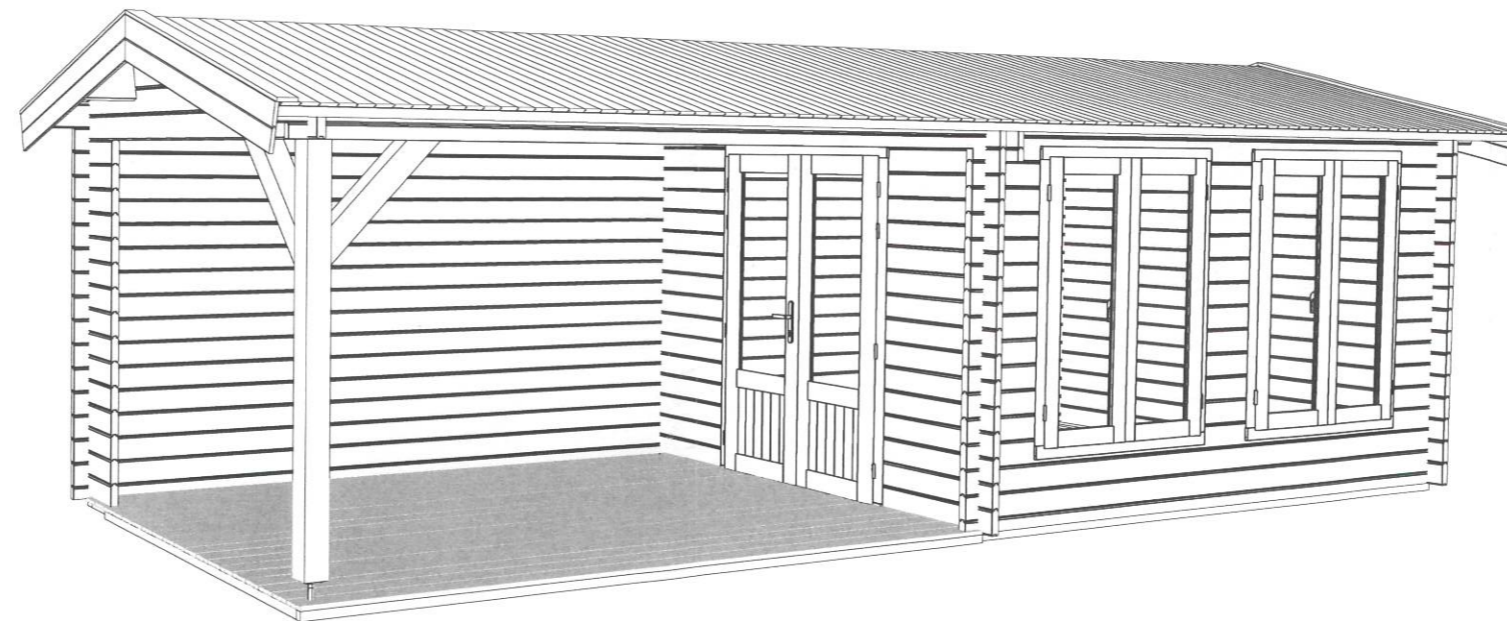
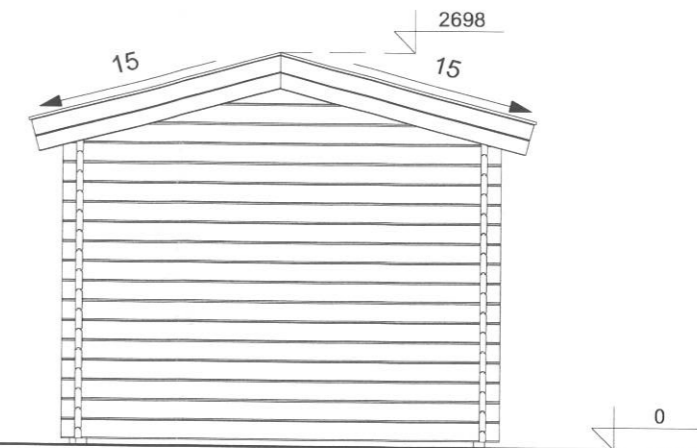
Project Nr. 340-10-20T Log cabin Projekts 300x800cm 44mm			
Dealer	ARCHITECTURE DRAWINGS		Scale
Dealers references			1 : 50
	Drawer	Sheet Nr.	Date
	JZ	AR - 1	16.10.2020 16:01:47

8.4m x 3.4m 'MANCAVE' (PAGE 2 OF 2)

REAR VIEW



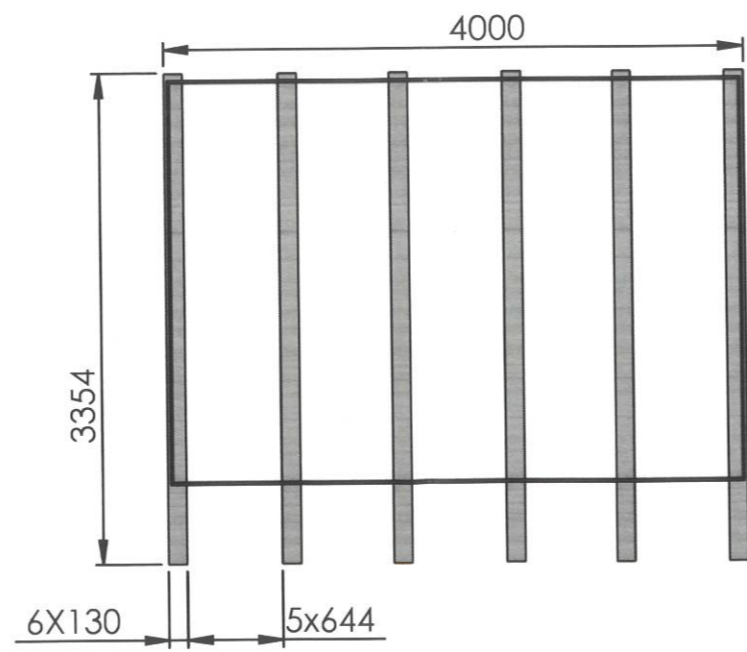
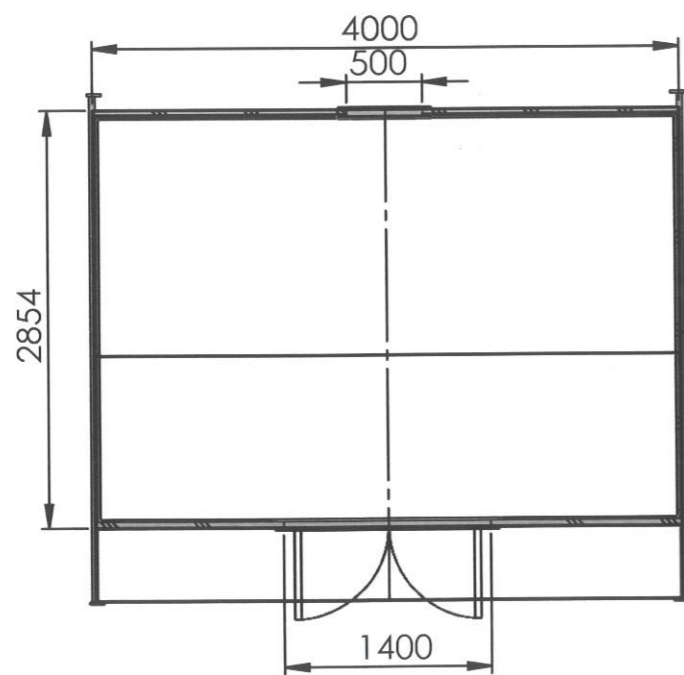
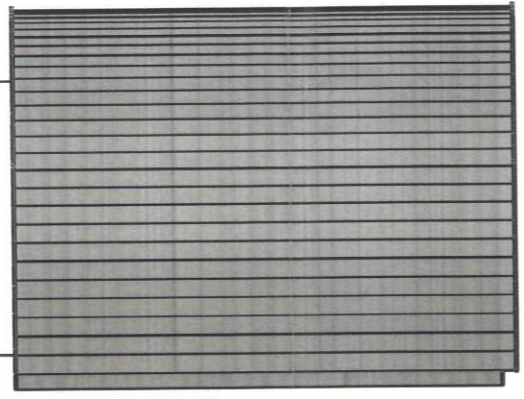
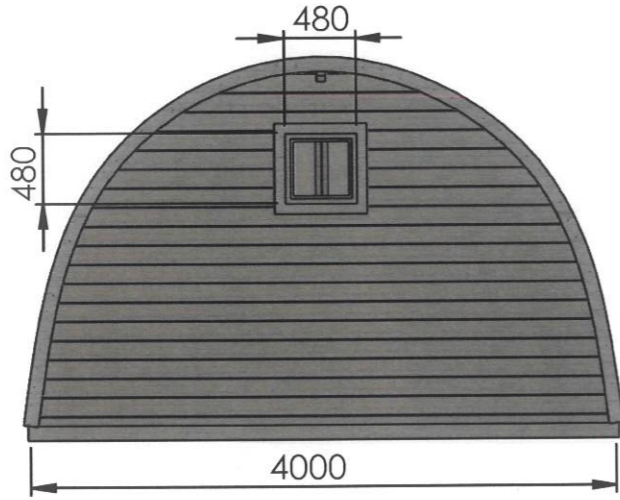
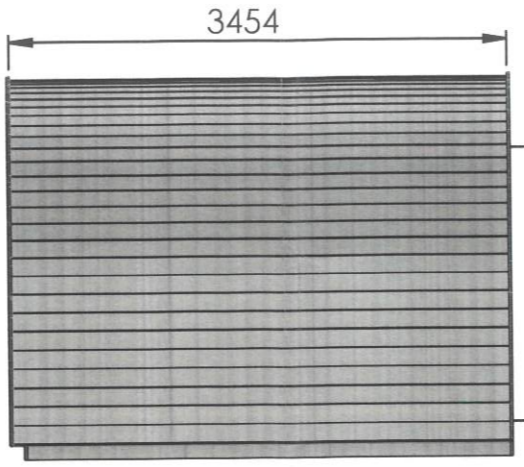
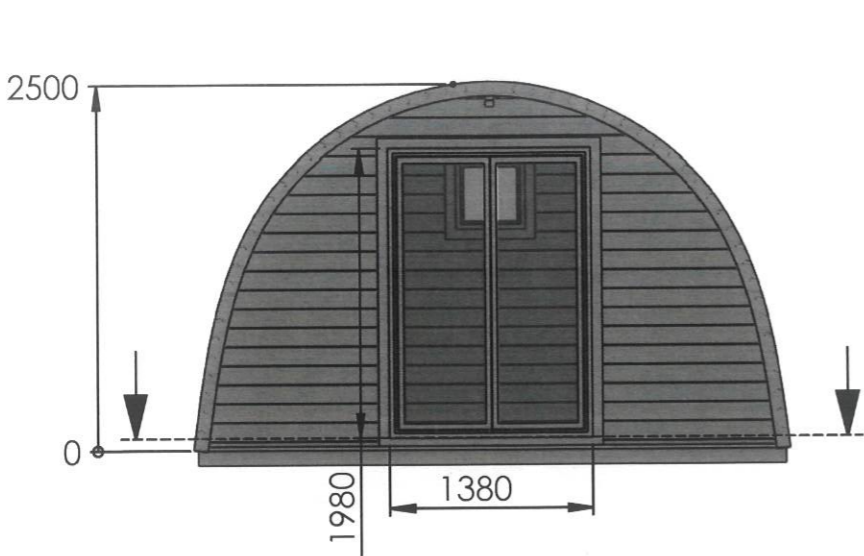
RIGHT SIDE VIEW



3D VIEW

Project Nr.			
340-10-20T Log cabin Projekts 300x800cm 44mm			
Dealer	ARCHITECTURE DRAWINGS		Scale
Dealers references	-	-	1 : 50
	Drawer	Sheet Nr.	Date
	RB	AR - 2	16.10.2020 16:01:51

4m x 3.5m BEEHIVE POD (PAGE 1 OF 5)



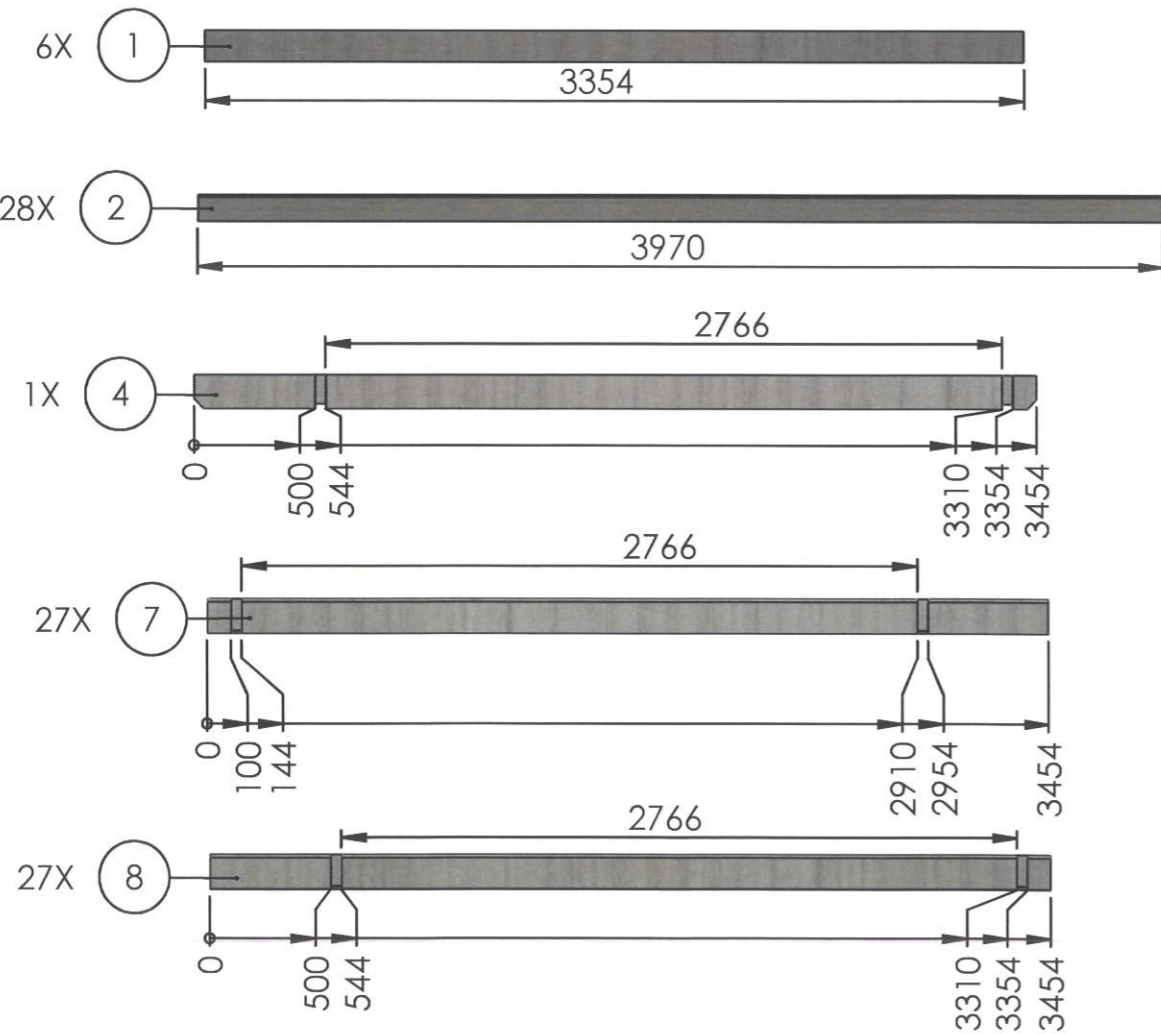
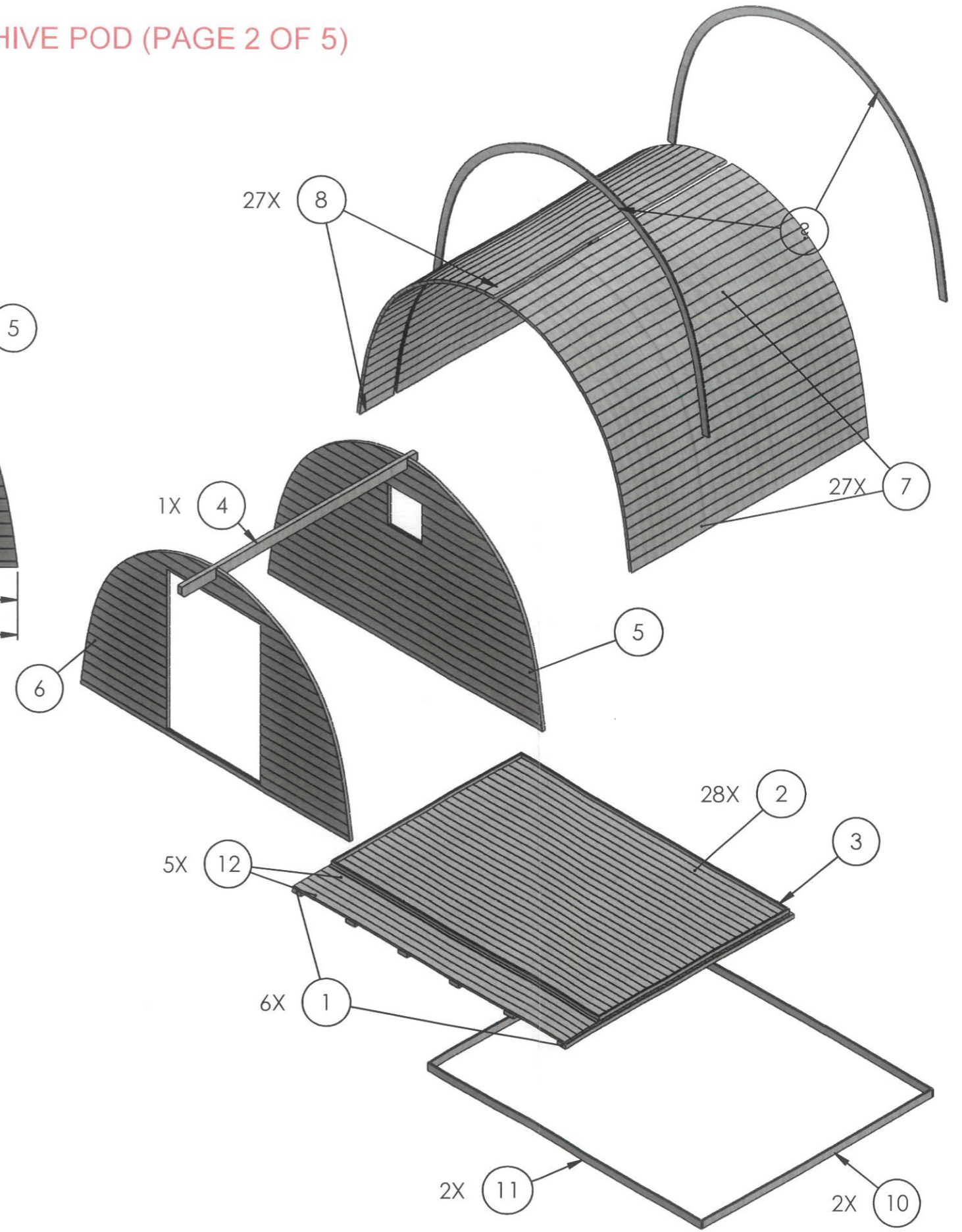
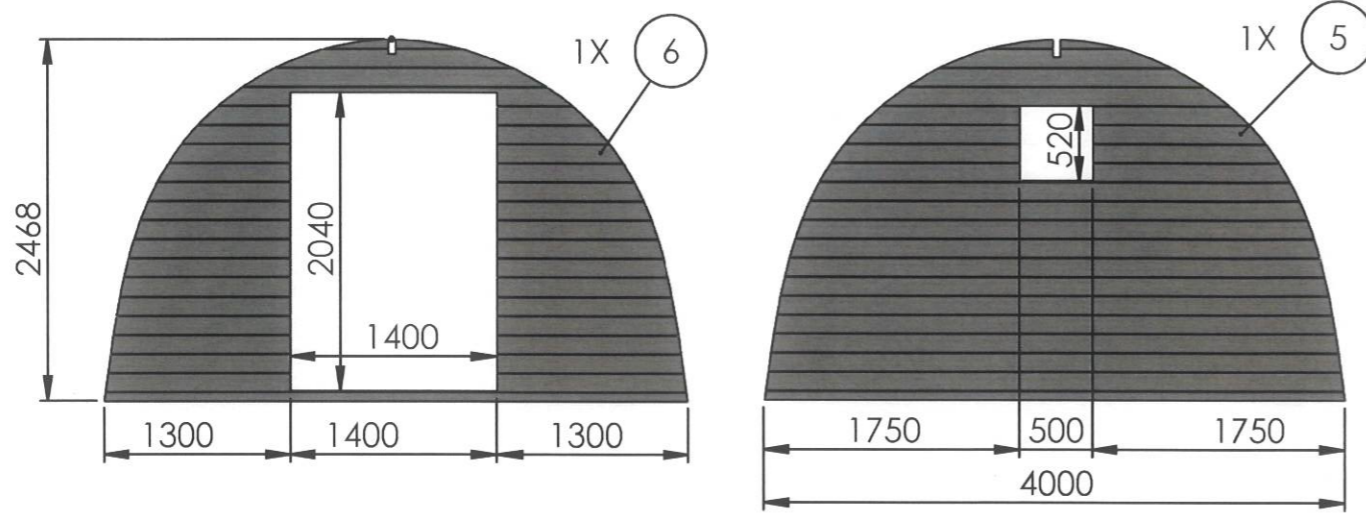
ITEM NO.	DESCRIPTION	QTY.
13	DOOR 1980x1380	1
14	WINDOW 480x480	1
15		1



Date	2019-11-05
------	------------

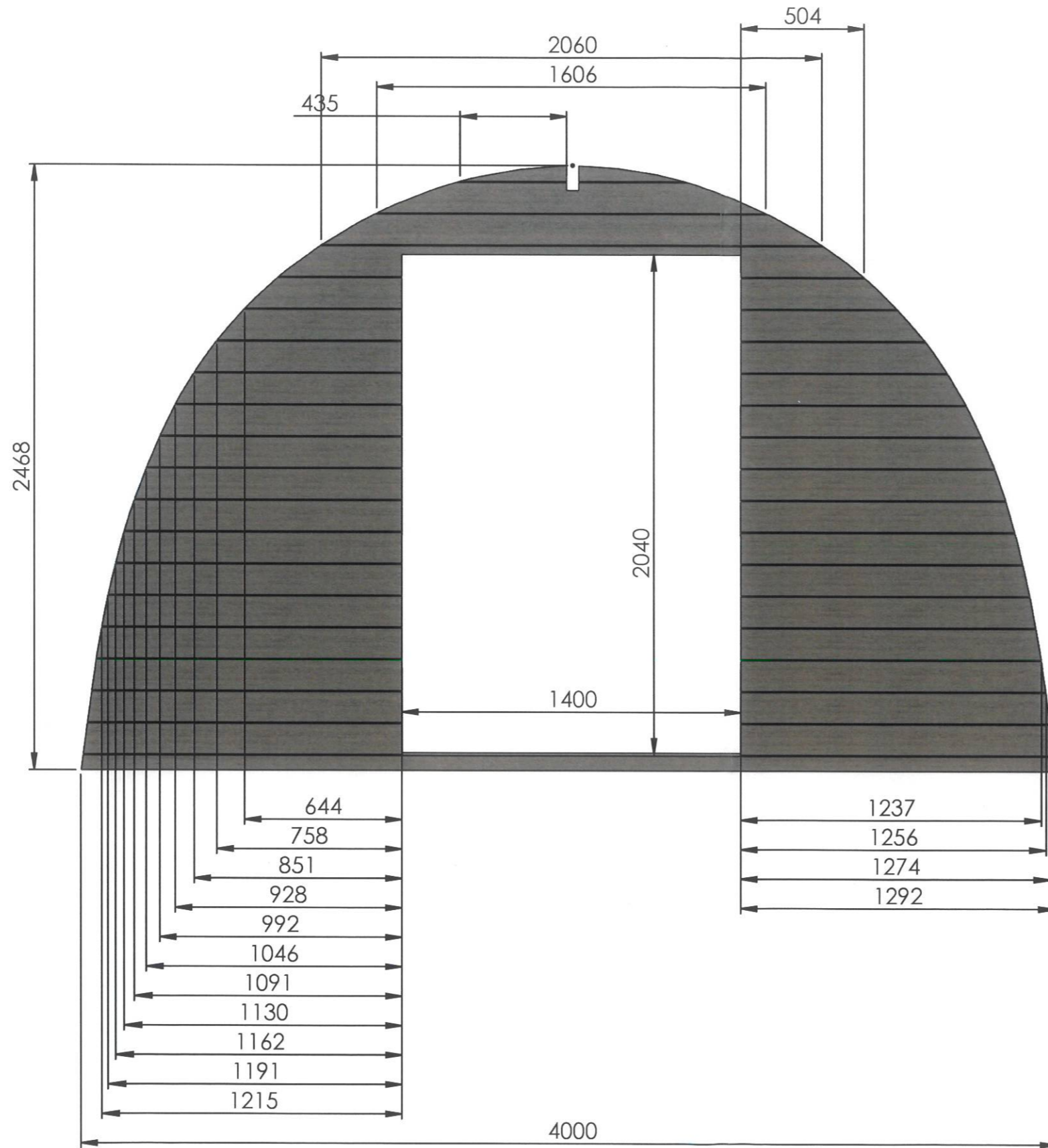
ITEM NO.	QTY.	DESCRIPTION	LENGTH
1	6	FLOOR JOINTS 55x130	3354
2	28	FLOORBOARD 28x100	3970
3	1	PLINTH 19x50	13450
4	1	RAFTERS 60x140	3454
5	1	SIDE BEAM	0
6	1	SIDE BEAM	0
7	27	SIDE BEAM 130x41	3454
8	27	SIDE BEAM 130x41	3454
9	2	WINDBOARD	
10	2	WINDBOARD 19x100	3354
11	2	WINDBOARD 19x100	4038
12	5	VERANDA BOARD 28x100	3970

4m x 3.5m BEEHIVE POD (PAGE 2 OF 5)



2136775338
Date 2019-11-05

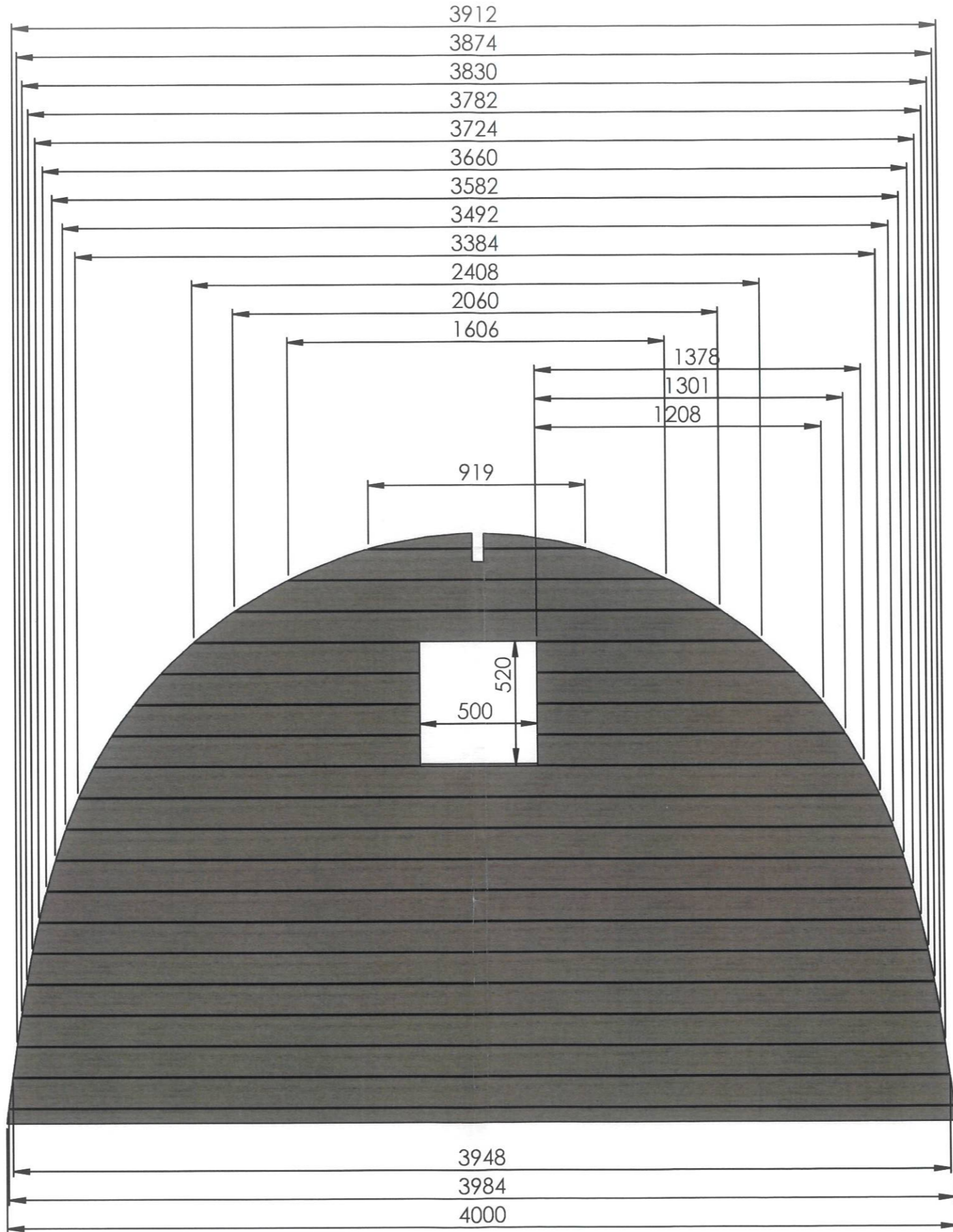
4m x 3.5m BEEHIVE POD (PAGE 3 OF 5)



Date	2019-11-05
	2136775338

2

1



4m x 3.5m BEEHIVE POD (PAGE 4 OF 5)

Date	2019-11-05
	2136775338



Sheet 4-4	Date	2019-11-12 10:37:35
-----------	------	------------------------

IE-RQ1015_43

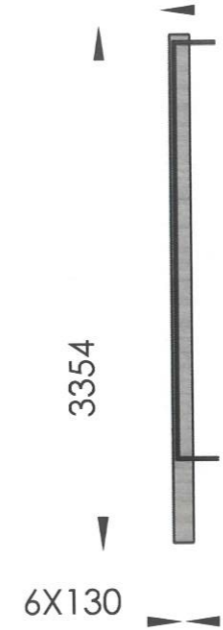
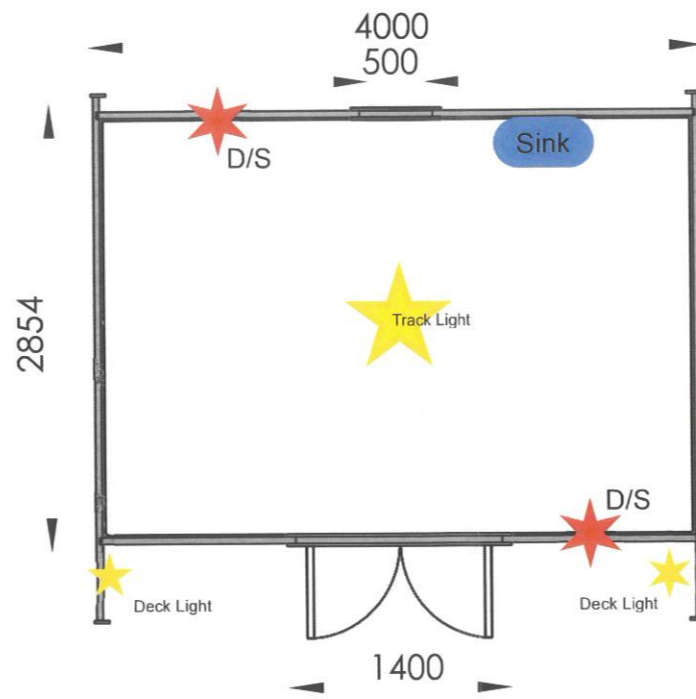
Sheet4	A3
--------	----

2

1

A

4m x 3.5m BEEHIVE POD (PAGE 5 OF 5)



19-11-05

SITE PHOTOS



View of site looking north-west



View of site looking north-east



View of site looking west



View of site looking east