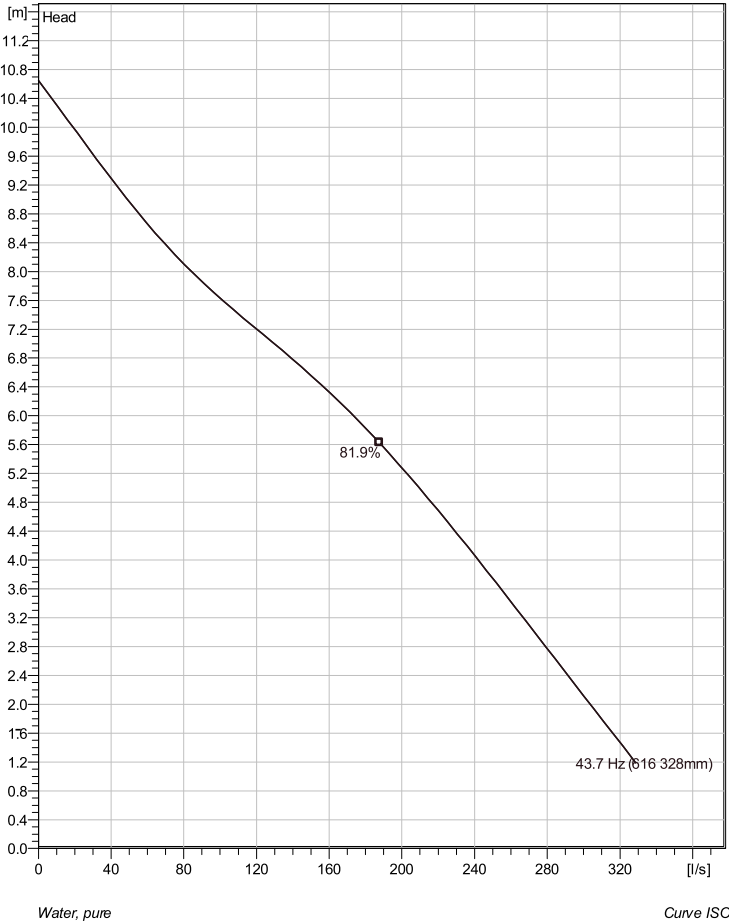


NP 3202 LT 3~ 616
Technical specification



Note: Picture might not correspond to the current configuration.

General

Patented self cleaning semi-open channel impeller, ideal for pumping in most waste water applications. Possible to be upgraded with Guide-pin® for even better clogging resistance. Modular based design with high adaptation grade.

Impeller

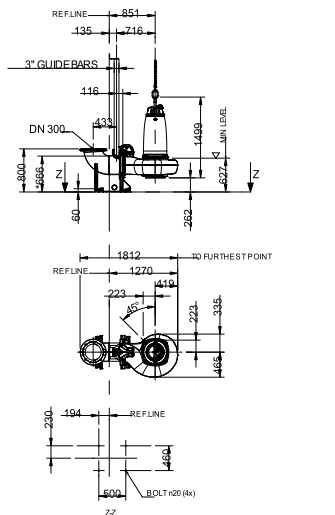
Impeller material	Hard-Iron
Discharge Flange Diameter	300 mm
Suction Flange Diameter	300 mm
Impeller diameter	328 mm
Number of blades	2
Throughlet diameter	92 mm

Motor

Motor #	N3202.820 30-29-6IE-W IE3 23KW Standard
Stator variant	1
Frequency	50 Hz
Rated voltage	400 V
Number of poles	6
Phases	3~
Rated power	23 kW
Rated current	45 A
Starting current	270 A
Rated speed	980 rpm
Power factor	
1/1 Load	0.79
3/4 Load	0.73
1/2 Load	0.60
Motor efficiency	
1/1 Load	92.7 %
3/4 Load	93.3 %
1/2 Load	93.1 %

Configuration

Installation: P - Semi permanent, Wet



* DIMENSION TO ENDS OF GUIDE BARS
 NP 3202.800, 810, 820, 830, 840, 850, 860, 870, 880

Weight (kg)	BxHxL
Pump with cooling jacket	85x110
Pump without cooling jacket	85x110

Project	Project ID	Created by	Created on 8/29/2018	Last update
---------	------------	------------	--------------------------------	-------------

NP 3202 LT 3~ 616

Performance curve



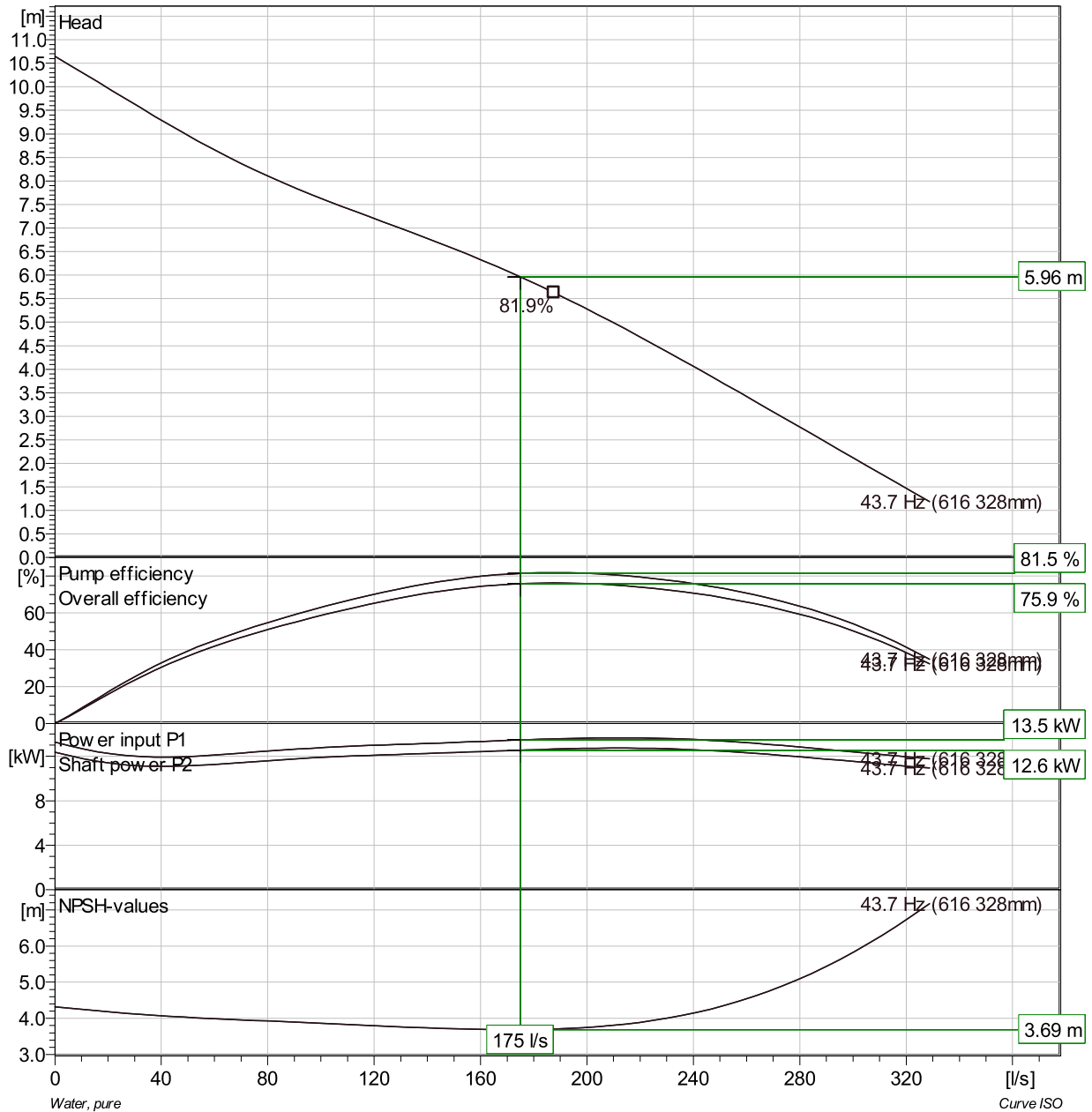
Pump

Discharge Flange Diameter 300 mm
 Suction Flange Diameter 300 mm
 Impeller diameter 328 mm
 Number of blades 2
 Througlet diameter 92 mm

Motor

Motor # N3202.820 30-29-61E-W IE3 23KW
 Stator variant 1
 Frequency 50 Hz
 Rated voltage 400 V
 Number of poles 6
 Phases 3~
 Rated power 23 kW
 Rated current 45 A
 Starting current 270 A
 Rated speed 980 rpm

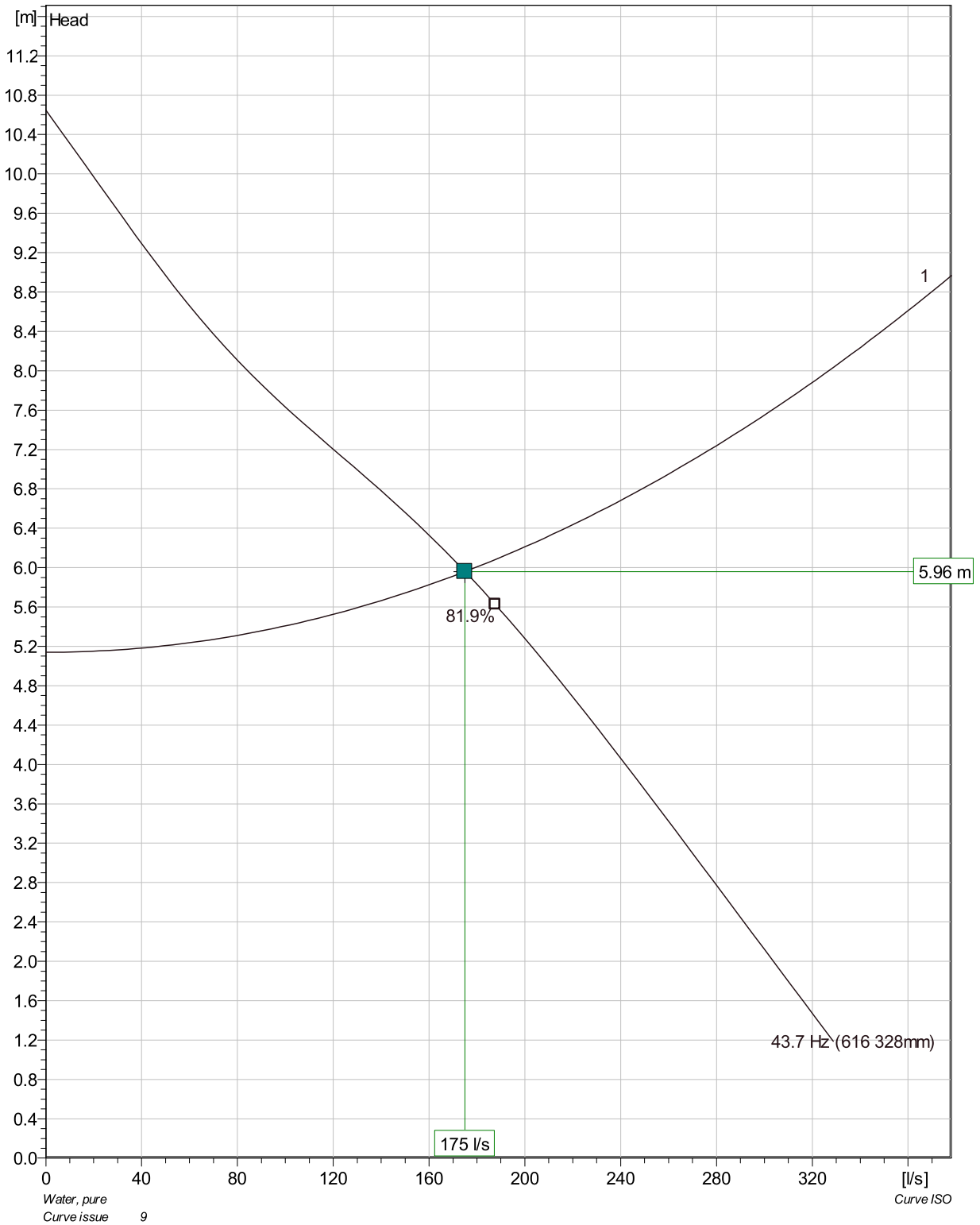
Power factor
 1/1 Load 0.79
 3/4 Load 0.73
 1/2 Load 0.60
 Motor efficiency
 1/1 Load 92.7 %
 3/4 Load 93.3 %
 1/2 Load 93.1 %



Duty point		Guarantee
Flow	Head	
175 l/s	5.96 m	No

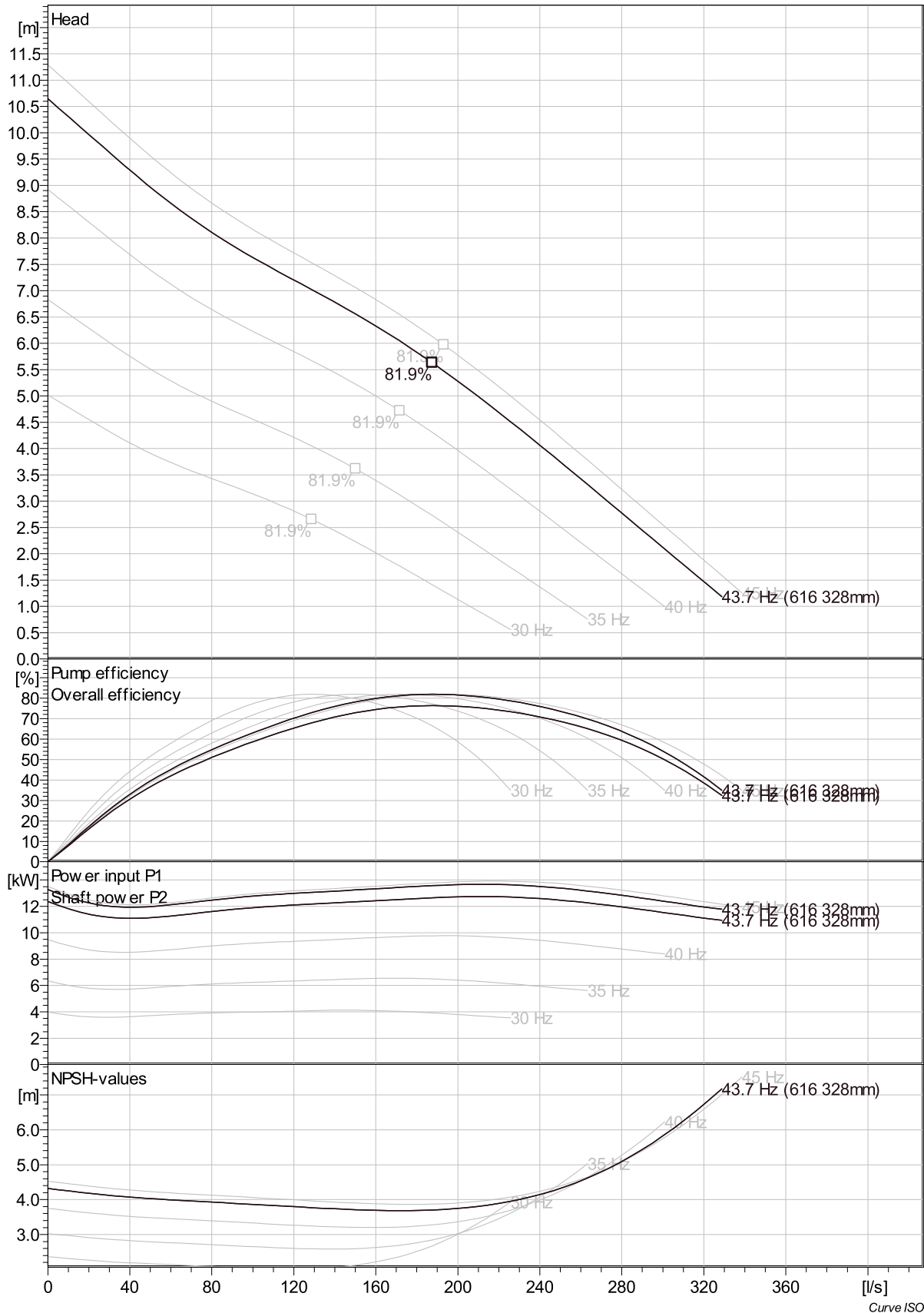
Project	Project ID	Created by	Created on	Last update
			8/29/2018	

NP 3202 LT 3~ 616 Duty Analysis



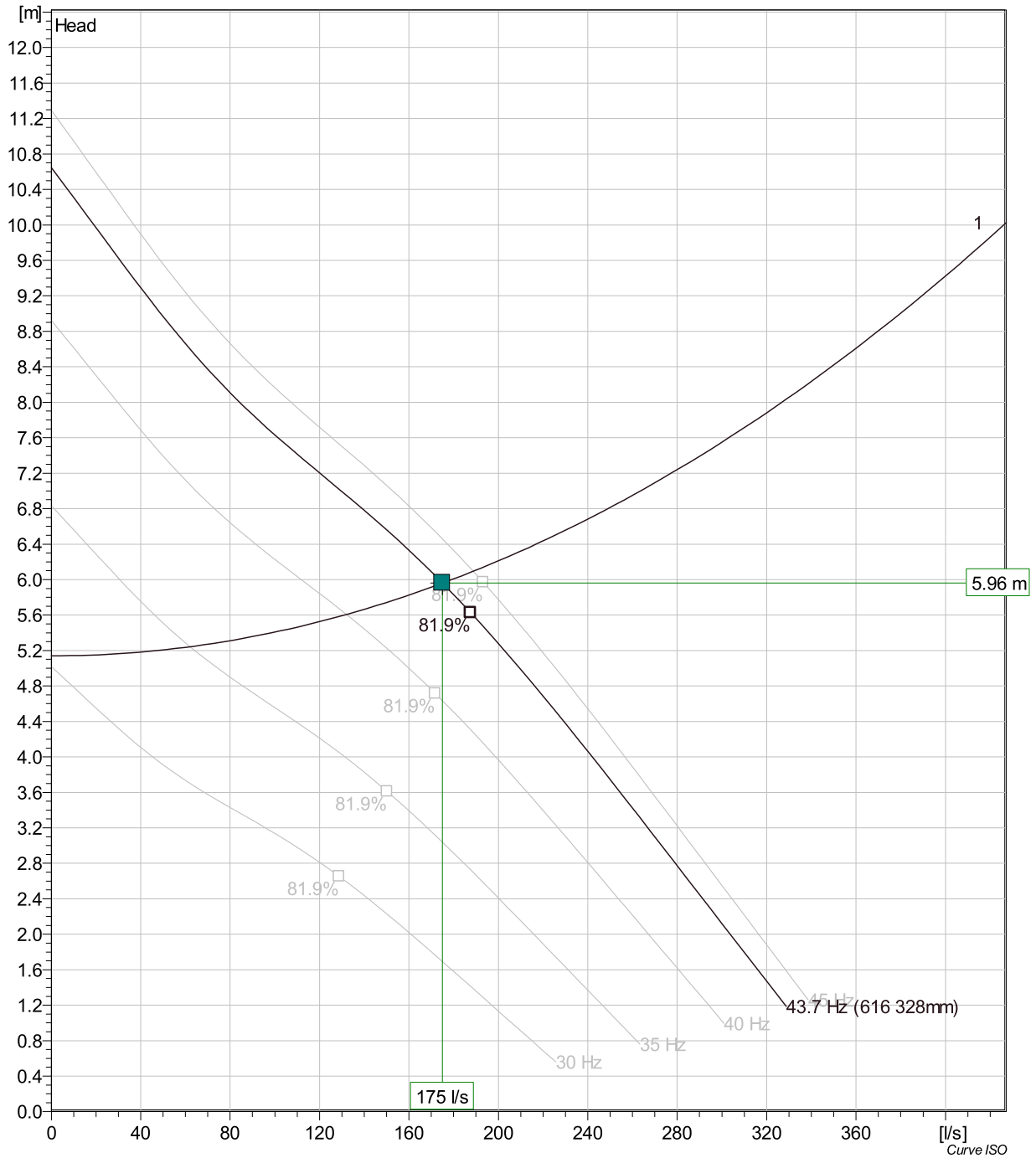
Pumps running /System	Individual pump			Total					
	Flow	Head	Shaft power	Flow	Head	Shaft power	Pump eff.	Specific energy	NPSHre
1	175 l/s	5.96 m	12.6 kW	175 l/s	5.96 m	12.6 kW	81.5 %	0.0214 kWh/m ³	3.69 m

Project	Project ID	Created by	Created on 8/29/2018	Last update
---------	------------	------------	--------------------------------	-------------



Project	Project ID	Created by	Created on	Last update
			8/29/2018	

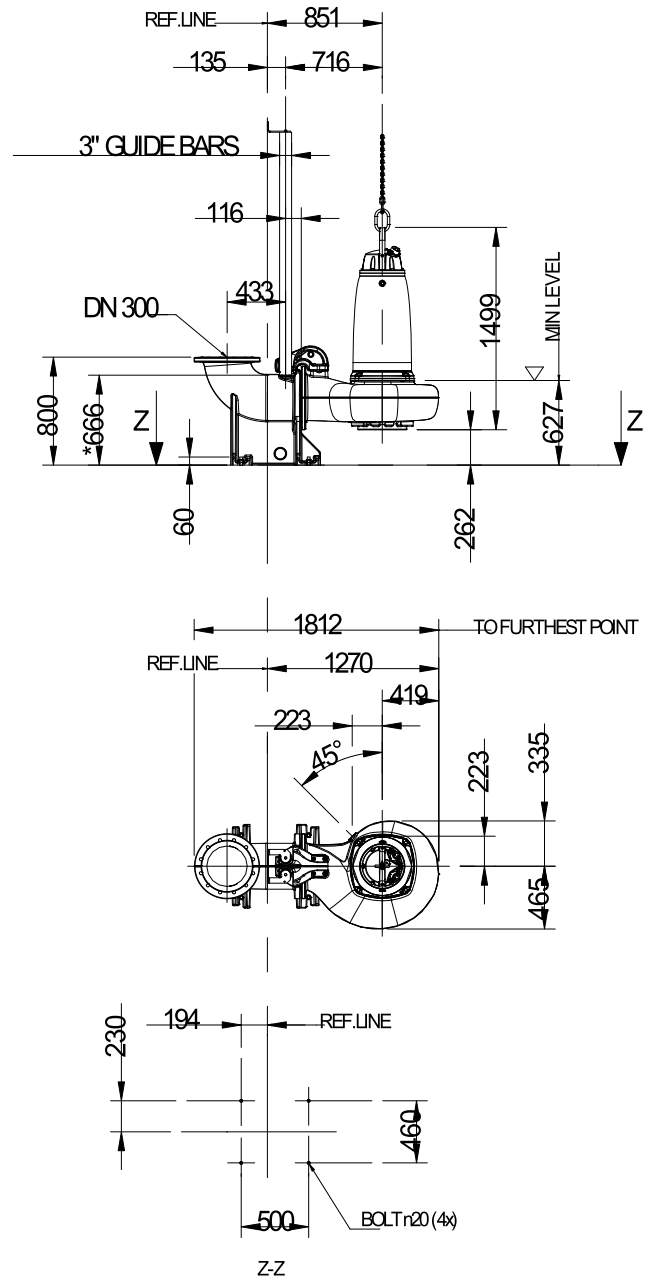
NP 3202 LT 3~ 616 VFD Analysis



Pumps running /System	Frequency	Flow	Head	Shaft power	Flow	Head	Shaft power	Pump eff.	Specific energy	NPSHre
1	43.7 Hz	175 l/s	5.96 m	12.6 kW	175 l/s	5.96 m	12.6 kW	81.5 %	0.0214 kWh/m ³	3.69 m
1	45 Hz	189 l/s	6.09 m	13.8 kW	189 l/s	6.09 m	13.8 kW	81.8 %	0.0217 kWh/m ³	3.87 m
1	40 Hz	132 l/s	5.61 m	9.43 kW	132 l/s	5.61 m	9.43 kW	76.9 %	0.0215 kWh/m ³	3.24 m
1	35 Hz	62.1 l/s	5.24 m	5.94 kW	62.1 l/s	5.24 m	5.94 kW	53.7 %	0.0294 kWh/m ³	2.76 m
1	30 Hz									

Project	Project ID	Created by	Created on 8/29/2018	Last update
---------	------------	------------	-------------------------	-------------

NP 3202 LT 3~ 616 Dimensional drawing



* DIMENSION TO ENDS OF GUIDE BARS

NP 3202.800, 810, 820, 830, 840, 850, 860, 870 LT

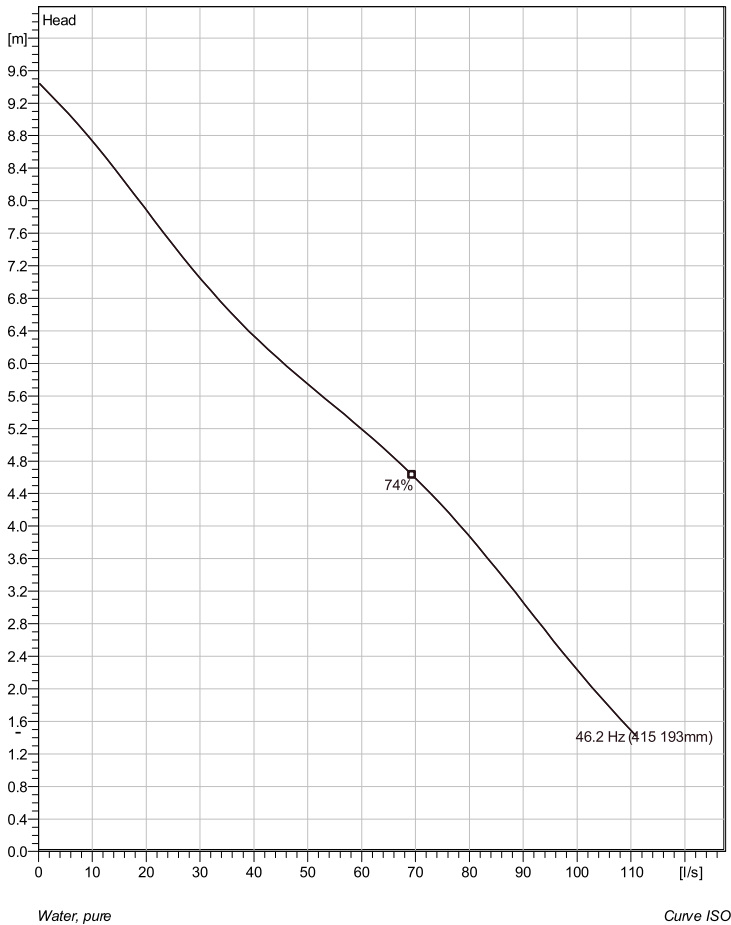
Weight (kg)	
Pump with cooling jacket	Disch
895	291
Pump without cooling jacket	
830	

NP 3202.800,810,820,830,840,850,860,870 LT

Project	Project ID	Created by	Created on 8/29/2018	Last update
---------	------------	------------	-------------------------	-------------



NP 3153 LT 3~ 415 Technical specification



Note: Picture might not correspond to the current configuration.

General

Patented self cleaning semi-open channel impeller, ideal for pumping in most waste water applications. Possible to be upgraded with Guide-pin® for even better clogging resistance. Modular based design with high adaptation grade.

Impeller

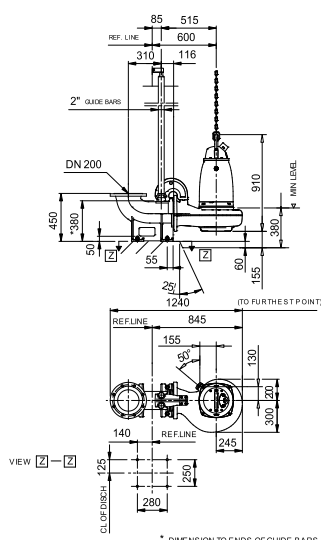
Impeller material	Hard-Iron
Discharge Flange Diameter	200 mm
Suction Flange Diameter	200 mm
Impeller diameter	193 mm
Number of blades	2

Motor

Motor #	N3153.820 21-15-4AS-W IE3 8.5KW Standard
Stator variant	2
Frequency	50 Hz
Rated voltage	400 V
Number of poles	4
Phases	3~
Rated power	8.5 kW
Rated current	14 A
Starting current	105 A
Rated speed	1500 rpm
Power factor	
1/1 Load	0.98
3/4 Load	0.97
1/2 Load	0.98
Motor efficiency	
1/1 Load	92.2 %
3/4 Load	92.3 %
1/2 Load	91.8 %

Configuration

Installation: P - Semi permanent, Wet



Note: 4 Poles Motor

Weight

Dimensional dwg
NP-3153LT

Project	Project ID	Created by	Created on 8/28/2018	Last update
---------	------------	------------	-------------------------	-------------

NP 3153 LT 3~ 415

Performance curve



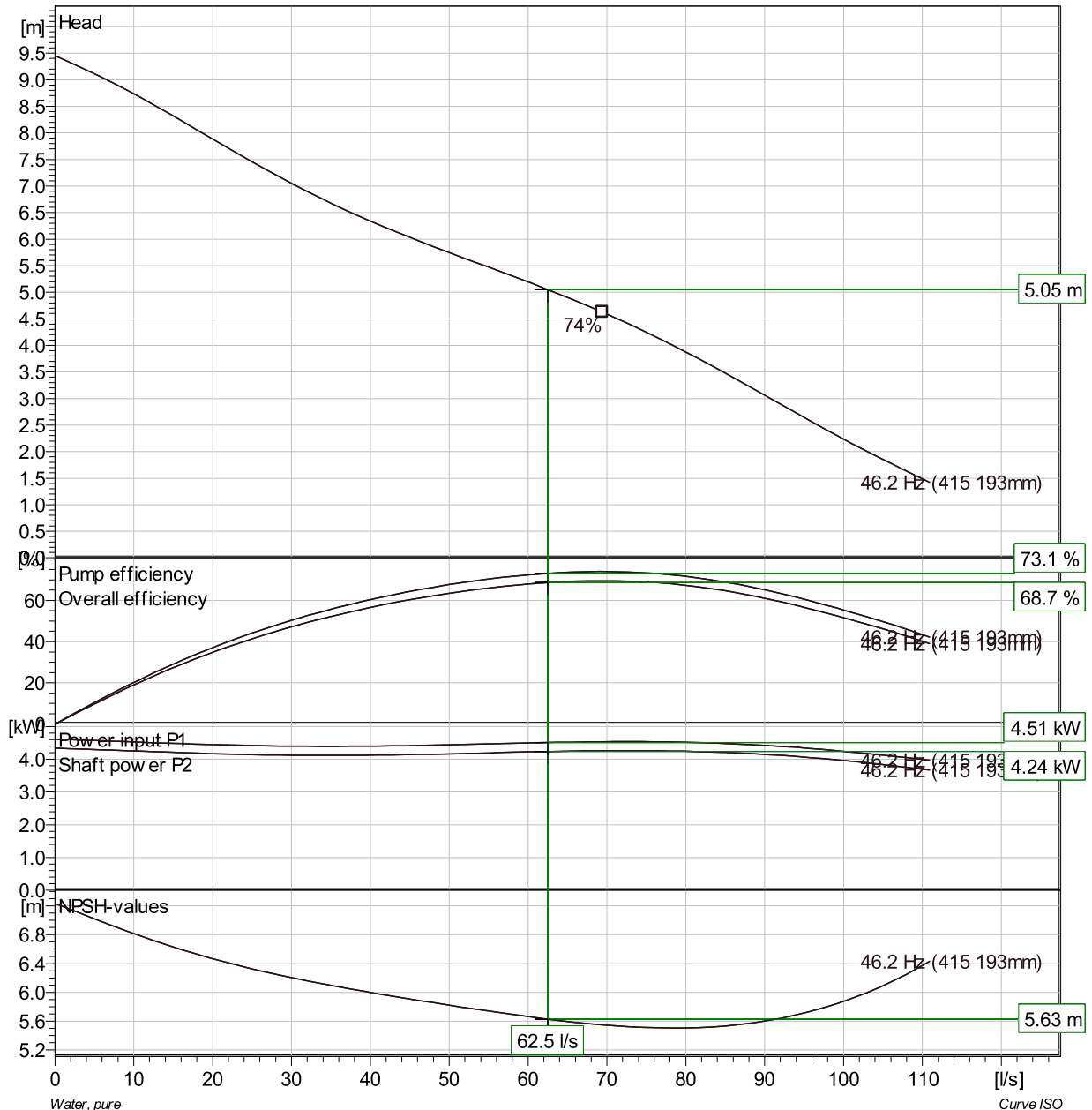
Pump

Discharge Flange Diameter 200 mm
 Suction Flange Diameter 200 mm
 Impeller diameter 193 mm
 Number of blades 2

Motor

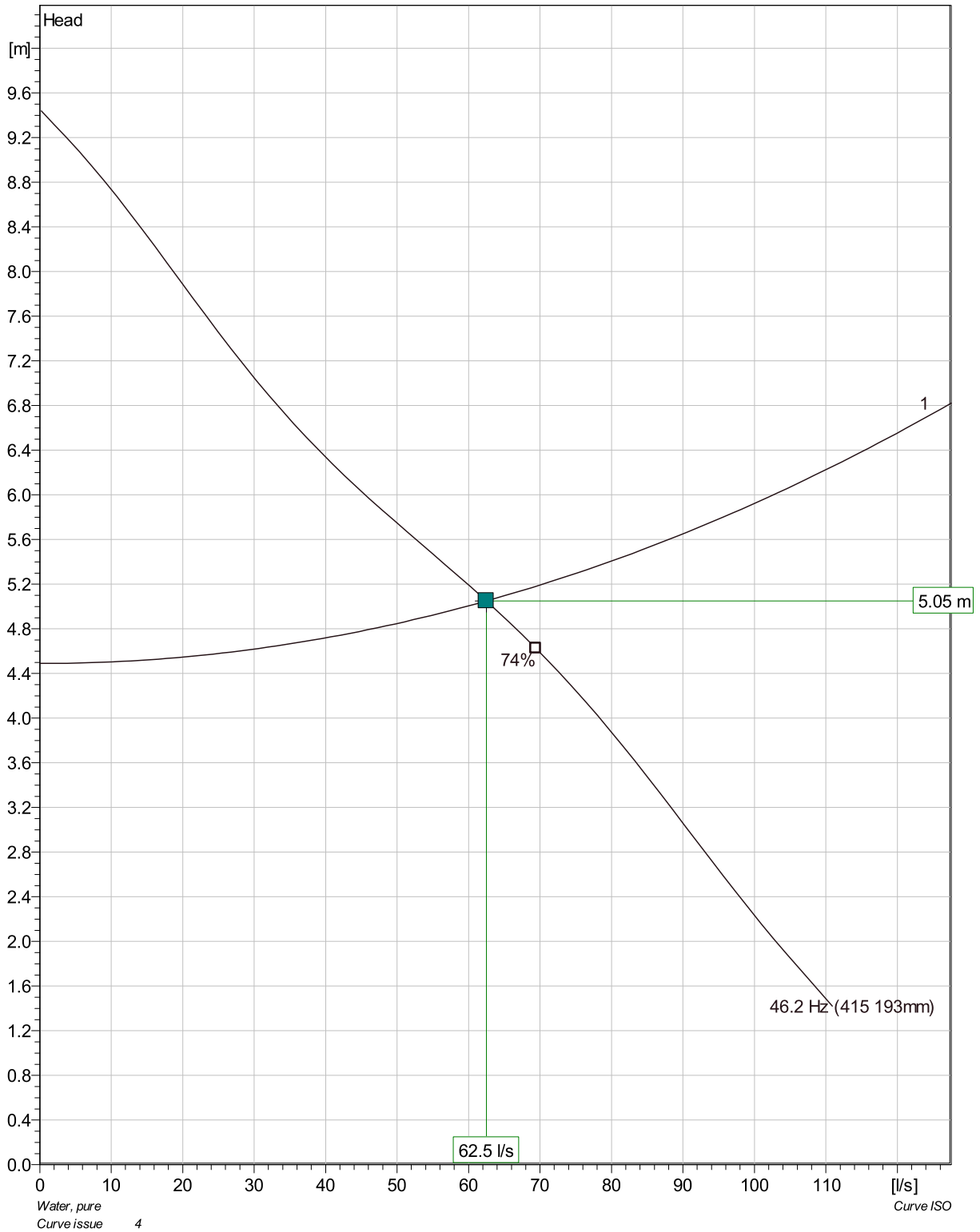
Motor # N3153.820 21-15-4AS-W IE3 8.5KW
 Stator variant 2
 Frequency 50 Hz
 Rated voltage 400 V
 Number of poles 4
 Phases 3~
 Rated power 8.5 kW
 Rated current 14 A
 Starting current 105 A
 Rated speed 1500 rpm

Power factor
 1/1 Load 0.98
 3/4 Load 0.97
 1/2 Load 0.98
 Motor efficiency
 1/1 Load 92.2 %
 3/4 Load 92.3 %
 1/2 Load 91.8 %



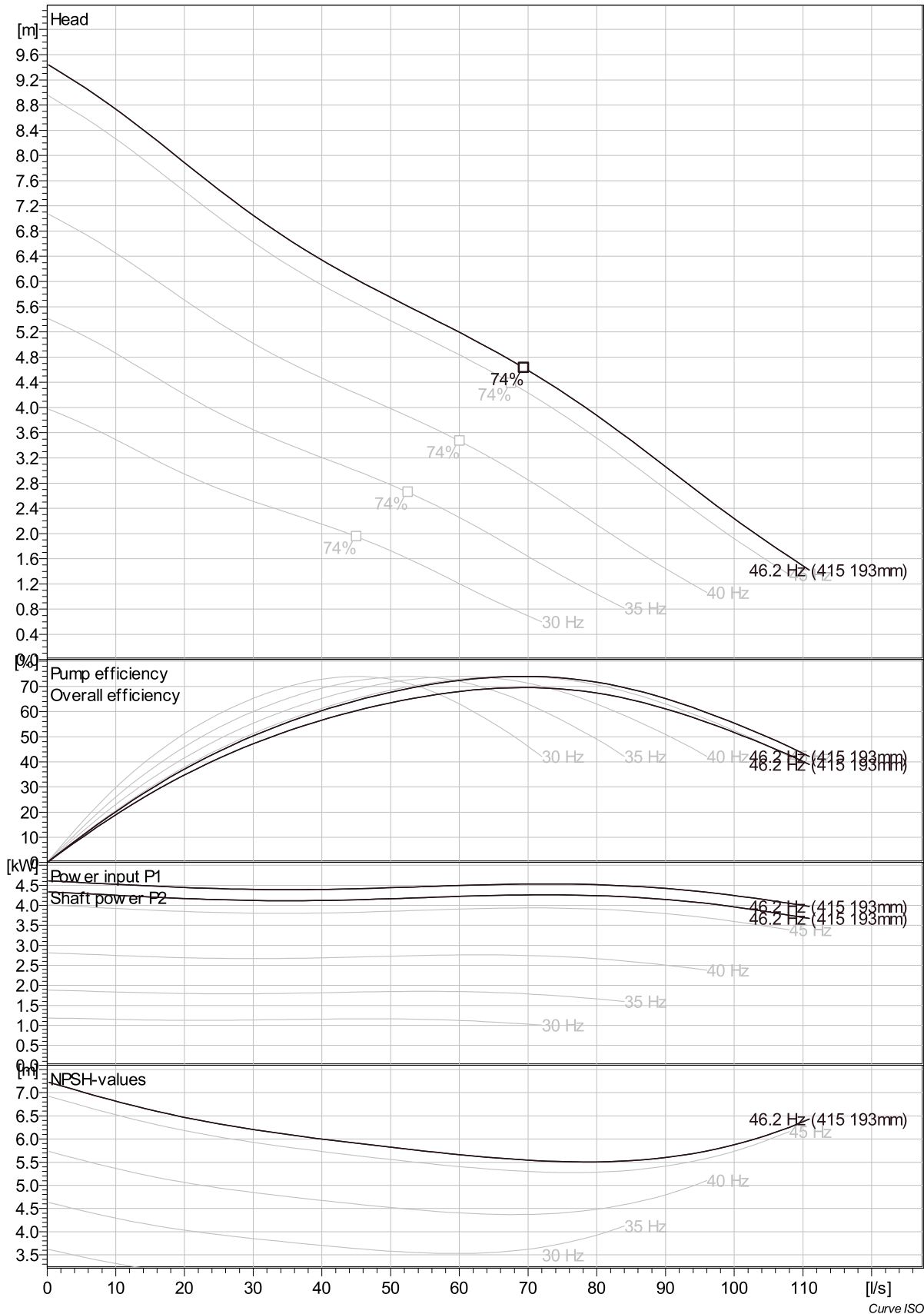
Duty point		Guarantee
Flow	Head	
62.5 l/s	5.05 m	No

Project	Project ID	Created by	Created on	Last update
			8/28/2018	

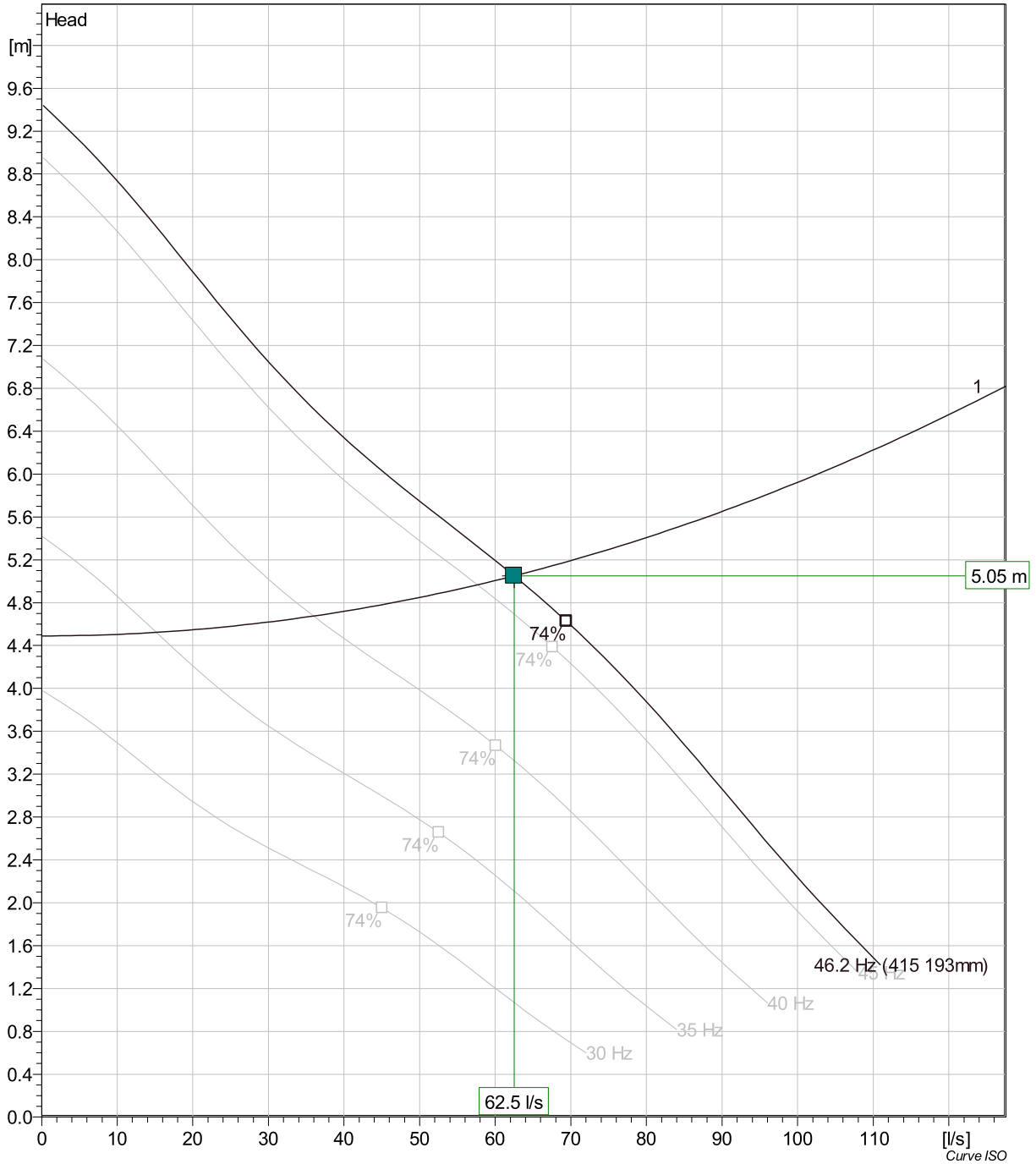


Pumps running /System	Individual pump			Total					
	Flow	Head	Shaft power	Flow	Head	Shaft power	Pump eff.	Specific energy	NPSHre
1	62.5 l/s	5.05 m	4.24 kW	62.5 l/s	5.05 m	4.24 kW	73.1 %	0.02 kWh/m ³	5.63 m

Project	Project ID	Created by	Created on 8/28/2018	Last update
---------	------------	------------	-------------------------	-------------



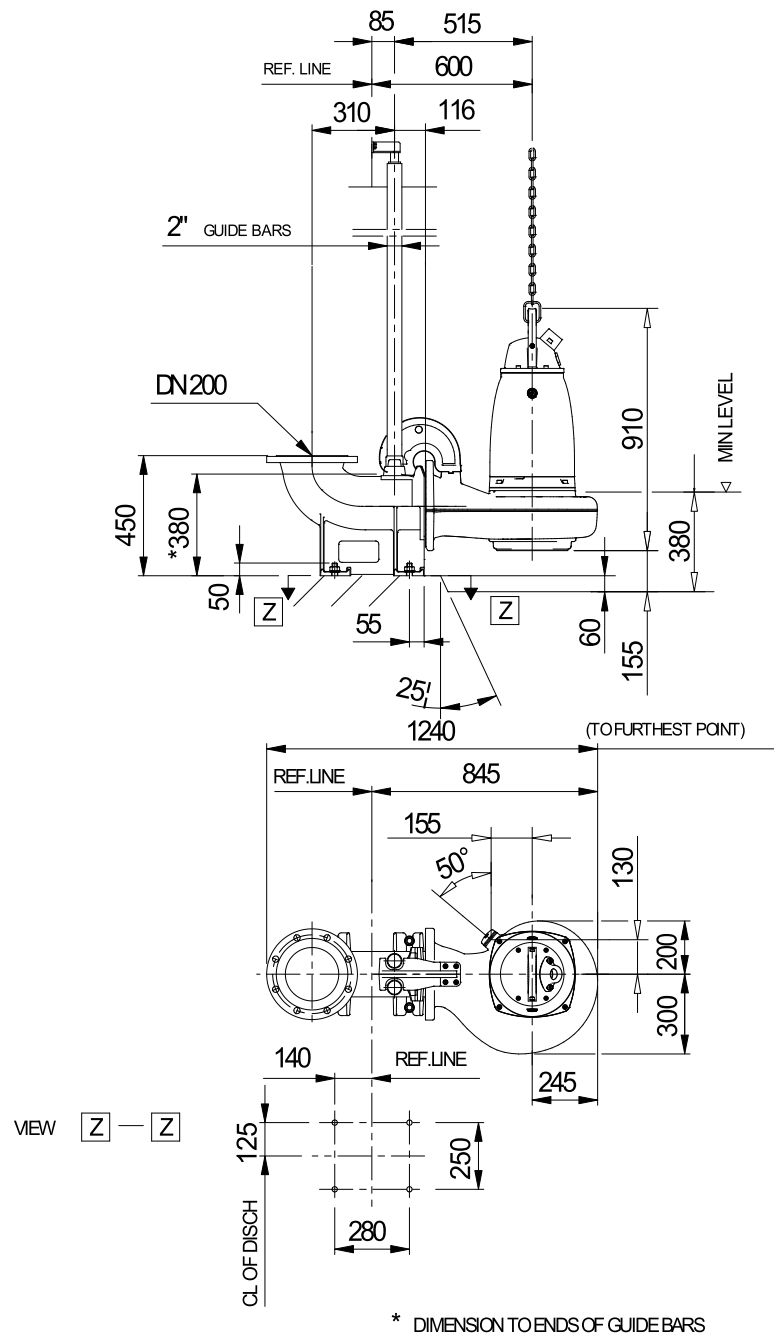
Project	Project ID	Created by	Created on	Last update
			8/28/2018	



Pumps running /System	Frequency	Flow	Head	Shaft power	Flow	Head	Shaft power	Pump eff.	Specific energy	NPSHre
1	46.2 Hz	62.5 l/s	5.05 m	4.24 kW	62.5 l/s	5.05 m	4.24 kW	73.1 %	0.02 kWh/m ³	5.63 m
1	45 Hz	57.6 l/s	4.97 m	3.89 kW	57.6 l/s	4.97 m	3.89 kW	72.1 %	0.0201 kWh/m ³	5.44 m
1	40 Hz	36 l/s	4.68 m	2.68 kW	36 l/s	4.68 m	2.68 kW	61.7 %	0.0234 kWh/m ³	4.74 m
1	35 Hz	15.2 l/s	4.52 m	1.81 kW	15.2 l/s	4.52 m	1.81 kW	37.1 %	0.0389 kWh/m ³	4.15 m
1	30 Hz									

Project	Project ID	Created by	Created on 8/28/2018	Last update
---------	------------	------------	-------------------------	-------------

NP 3153 LT 3~ 415 Dimensional drawing



Note: 4 Poles Mtor

Weight

Dimensional dwg
NP3153LT

Project	Project ID	Created by	Created on	Last update
			8/28/2018	